



# Cornice Pedestal Lavatory

CORNER COLLECTION

VITREOUS CHINA



- 15-1/2" (394mm) x 15-1/2" (394mm) - 58 lbs., 5.44 Cubes
- Faucet Holes on 4" Centers
- Twin Front Concealed Overflows
- Unique Space-saving Corner Design
- Rim Slants toward Basin for Quick Drainage
- Part of the Eljer Corner Collection of Products

□ 051-1414 ☉ Vitreous China Pedestal Lavatory with Faucet Holes on 4" Centers

**Component Parts:**

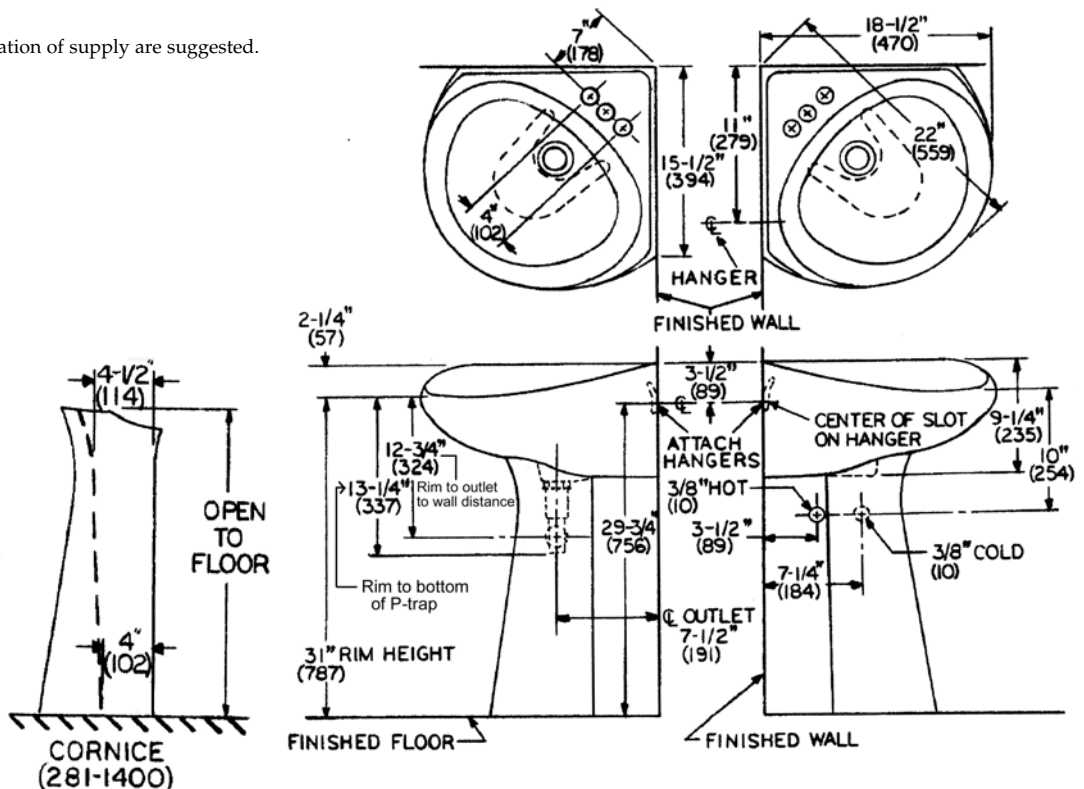
- 051-1404 Basin Only - 4" Centers - 38 lbs., 3.02 Cubes
- 281-1400 Pedestal Only - 20 lbs., 2.42 Cubes
- 805-1070 Hanger
- 495-4200 Lag screw
- 495-5743 Washer

Cornice Pedestal Lavatory (051-1414). Faucet shown not included.

Inside Basin Dimensions:  
14" (356mm) x 12" (305mm)  
Overall Height: 33-1/4" (845mm)

**Note:** Eljer assumes no responsibility or liability for local or state regulations which deviate from national standards. It shall be the responsibility of the installer to comply with local codes and standards prior to installation of any Eljer product.

Dimensions for location of supply are suggested.



FAUCETS ARE NOT INCLUDED. ALL FIXTURE DIMENSIONS ARE NOMINAL AND MAY VARY WITHIN THE RANGE OF TOLERANCES ESTABLISHED BY ASME/ANSI STANDARDS, A112.19.2M. ALL MEASUREMENTS SHOWN ARE SUBJECT TO CHANGE OR CANCELLATION.