



**DIPLOMAT™ PEDESTAL SINK**

- Vitreous china lavatory and pedestal
- Front overflow
- Fitting ledge with generous shelf area
- Supplied with mounting kit  
(Faucet not included)

- ❑ **051-3924** Faucet holes on 4" (102mm) centers (Illustrated)
- ❑ **051-3928** Faucet holes on 8" (203mm) centers

**Nominal Dimensions:**  
552 x 470 x 864mm  
(21-3/4" x 18-1/2" x 34")

**Separate Components:**

- ❑ **051-3904** Pedestal top 4" (102mm) centers
- ❑ **051-3908** Pedestal top 8" (203mm) centers
- ❑ **281-3900** Pedestal only

**Bowl sizes:**

445mm (17-1/2") wide  
292mm (11-1/2") front to back  
127mm (5-1/2") deep

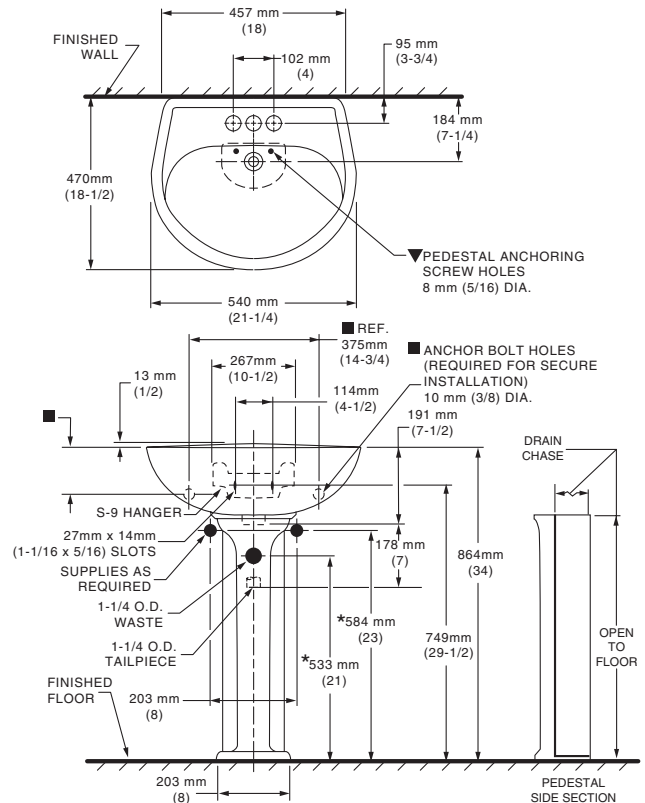
**Compliance Certifications -**

**Meets or Exceeds the Following Specifications:**

- ASME A112.19.2M for Vitreous China Fixtures

**To Be Specified:**

- ❑ Color: ❑ White
- ❑ Faucet:
- ❑ Faucet Finish:
- ❑ Supplies:
- ❑ 1-1/4" Trap:



**NOTES:**  
 \* DIMENSIONS SHOWN FOR LOCATION OF SUPPLIES AND "P" TRAP ARE SUGGESTED.  
 ▼ ANCHOR SCREWS FOR PEDESTAL NOT INCLUDED. INSTALLATION INSTRUCTIONS SUPPLIED WITH LAVATORY.  
 ■ SUITABLE FOR REINFORCEMENT ONLY, ACTUAL DIMENSIONS MUST BE TAKEN FROM FIXTURE.  
 FITTINGS NOT INCLUDED AND MUST BE ORDERED SEPARATELY. PROVIDE SUITABLE REINFORCEMENT FOR ALL WALL SUPPORTS.

**IMPORTANT:** Dimensions of fixtures are nominal and may vary within the range of tolerances established by ANSI Standard A112.19.2. These measurements are subject to change or cancellation. No responsibility is assumed for use of superseded or voided pages.