

Westerly™ Tall Height Elongated SpaLet Complete Toilet

VITREOUS CHINA WITH EVERCLEAN®



Westerly™ Tall Height Elongated SpaLet Complete Toilet with EverClean®

□ 719AA401

- AquaWash 1.0 Bidet Seat and Westerly Elongated Toilet for spa-like experience
- Reliable performance with a powerful flush that is quick and quiet
- Vitreous china made, low consumption toilet (1.6 gpf/6.0 Lpf)
- Generous 9" x 8" water surface area with PowerWash® rim that scrubs the bowl with each flush
- 3" flush valve with fully-glazed 2" trapway
- 12" rough-in toilet with 16-1/2" rim chair height bowl for accessible applications
- Includes no-tools, EZ-Install floor bolts, wax ring and color match bowl caps kit
- Includes EverClean® surface that inhibits the growth of bacteria, mold and mildew
- Includes AquaWash 1.0 slow-close bidet seat with dual wash nozzles for front and back cleansing
- Side lever manual bidet operation requires no electrical outlet
- Chrome finish trip lever is supplied (other finishes available as special order)
- Obtains best 1,000g MaP flush score** at 1.6 gpf
- Industry-leading lifetime warranty on chinaware, 5 year warranty on all mechanical parts and 1year warranty on seat

Nominal Dimensions:

30-1/4" x 18" x 30-5/8"
(768 x 457 x 778mm)

Compliance Certifications - Meets or Exceeds the Following Specifications:

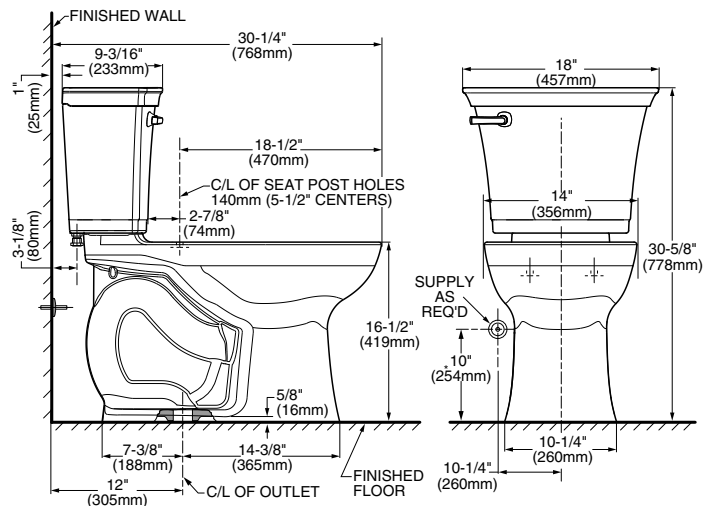
- ASME A112.19.2/CSA B45.1 for Vitreous China Fixtures

To Be Specified:

- Color:
 - White (OOB)
- Supply with stop:

** Maximum Performance (MaP) testing performed by IAPMO R&T Lab. MaP Report conducted by Gauley Associates Ltd. and Koeller and Company.

MEETS THE AMERICANS WITH DISABILITIES ACT GUIDELINES AND ICC ANSI A117.1 REQUIREMENTS FOR ACCESSIBLE AND USABLE BUILDING FACILITIES-CHECK LOCAL CODES.



NOTES:

THIS COMBINATION IS DESIGNED TO ROUGH-IN AT A MINIMUM DIMENSION OF 305MM (12") FROM FINISHED WALL TO C/L OF OUTLET. * DIMENSIONS SHOWN FOR LOCATION OF SUPPLY ARE SUGGESTED. SUPPLY NOT INCLUDED WITH FIXTURE AND MUST BE ORDERED SEPARATELY.

IMPORTANT: Dimensions of fixtures are nominal and may vary within the range of tolerance established by ANSI Standard A112.19.2. These measurements are subject to change or cancellation. No responsibility is assumed for use of superseded or voided pages.



EVERCLEAN®

© 2021 Eljer

B-E36

spec_719AA401-WesterlyTHelSpaLetCompEC 6/21