



# Installation Instructions

9055.050

## HARTSHORNE™

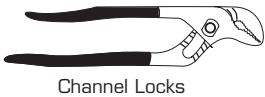
### TWO-HANDLE KITCHEN FAUCET WITH HI-FLOW SPOUT

To ensure that your installation proceeds smoothly—please read these instructions carefully before you begin.



Certified to comply with ASME A112.18.1M  
M968601REV.1.1

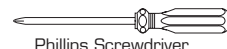
#### RECOMMENDED TOOLS



Channel Locks



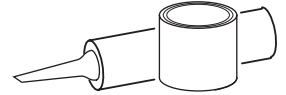
Flat Blade Screwdriver



Phillips Screwdriver



Adjustable Wrench

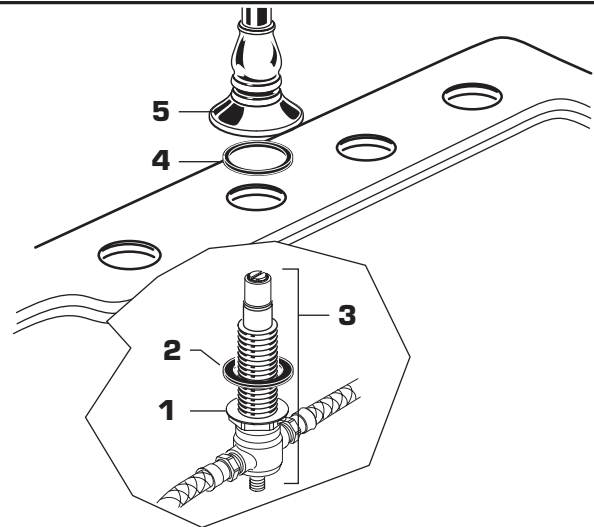


Plumbers' Putty or Caulking

## 1 INSTALL FAUCET

**CAUTION** Turn off hot and cold water supplies before beginning.

- Install LOCK NUT (1) and RUBBER WASHER (2) onto SPOUT BODY (3). Insert SPOUT BODY (1) through hole from underside of SINK.
- Place RUBBER RING (4) into SPOUT ESCUTCHEON (5) and screw ESCUTCHEON (5) onto SPOUT BODY (3) until snug against internal stop.
- From under sink tighten LOCK NUT (1) to secure SPOUT.



## 2 INSTALL VALVE BODIES

- Install LOCK NUT (1) onto VALVE BODIES (2). Insert VALVE BODY (2) through hole from underside of SINK. Threads of VALVE BODY (2) should extend at least 5/16" of an inch above mounting surface top. **Fig. A.**
- Place RUBBER RING (3) into ESCUTCHEON (4) and screw ESCUTCHEON (4) onto VALVE BODY (2) until snug against internal stop.
- From under sink tighten LOCK NUT (1) to secure VALVE BODY (2).
- Insert SEAL WASHERS (5) into SPOUT BODY SUPPLY HOSES (6) and tighten connection to VALVE BODIES (2).

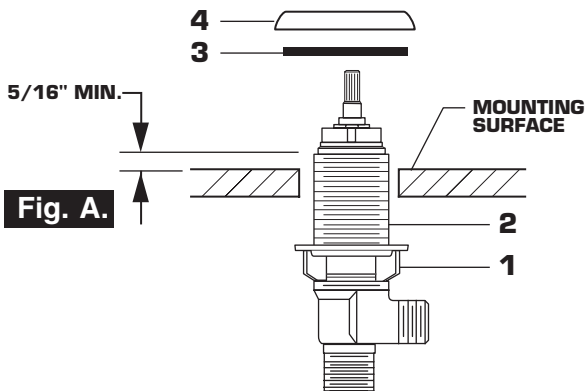
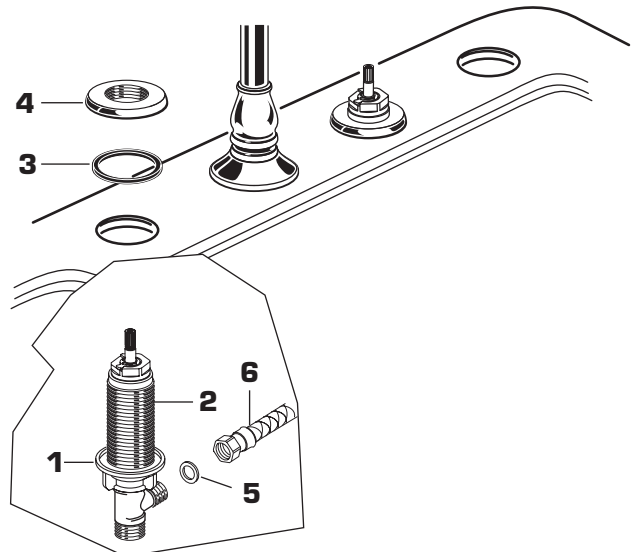
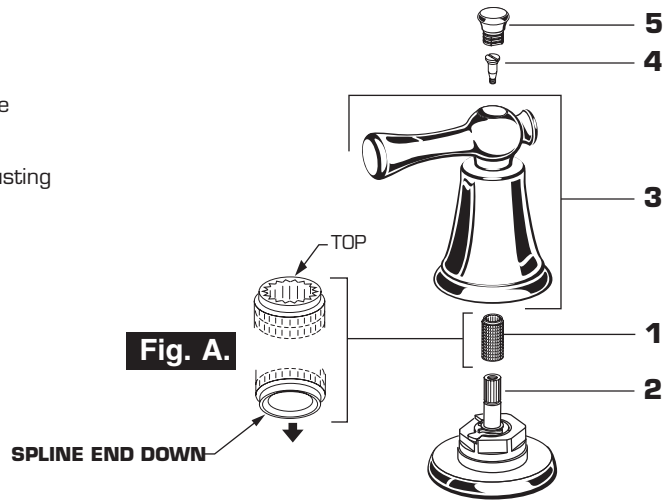


Fig. A.

### 3 INSTALL HANDLES

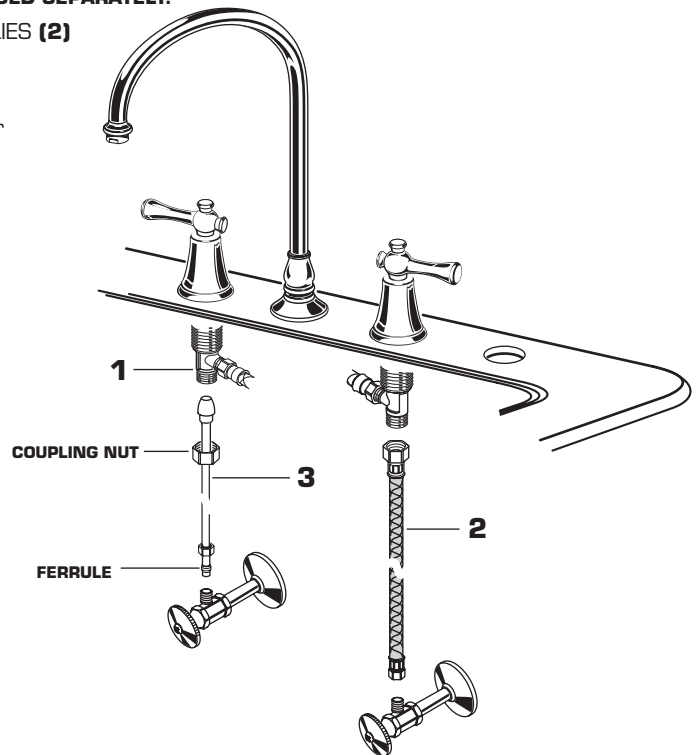
- Push ADAPTER (1) on VALVE STEM (2), so that the hole of the ADAPTER (1) with a spline is facing up. Fig. A.
- Find correct position of LEVER HANDLE ASSEMBLY (3) by adjusting male teeth on ADAPTER (1) to female teeth in HANDLE (3).
- Install LEVER HANDLE ASSEMBLY (3) onto Adapter (1).
- Insert HANDLE SCREW (4) and tighten.
- Thread INDEX BUTTON (5) into HANDLE ASSEMBLY (3).



### 4 MAKE WATER SUPPLY CONNECTIONS

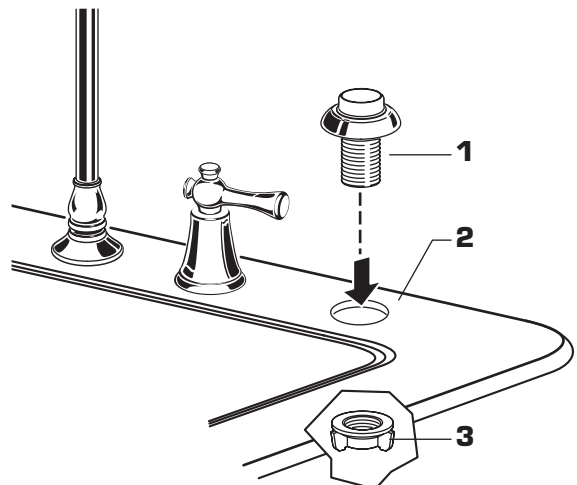
**NOTE: FLEXIBLE SUPPLIES OR BULL-NOSE RISERS MUST BE PURCHASED SEPARATELY.**

- Connect water supply to FAUCET (1) with 1/2" IPS FLEXIBLE SUPPLIES (2) or 3/8" O.D. BULL-NOSE RISERS (3).
- Use adjustable wrench to tighten connections. Do not over tighten. Be careful not to kink copper supply when bending. Use tubing cutter to cut to proper length.



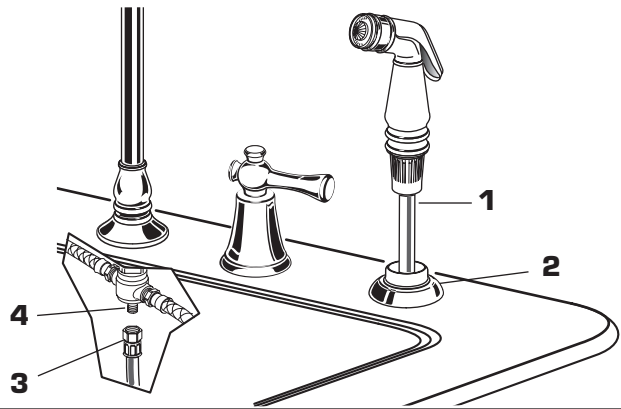
### 5 INSTALL SPRAY HOLDER

- Place SPRAY HOLDER (1) into separate hole of SINK (2) and assemble NUT (3) onto shank from underside of SINK (2) or mounting surface.
- Hand tighten MOUNTING NUT (3).



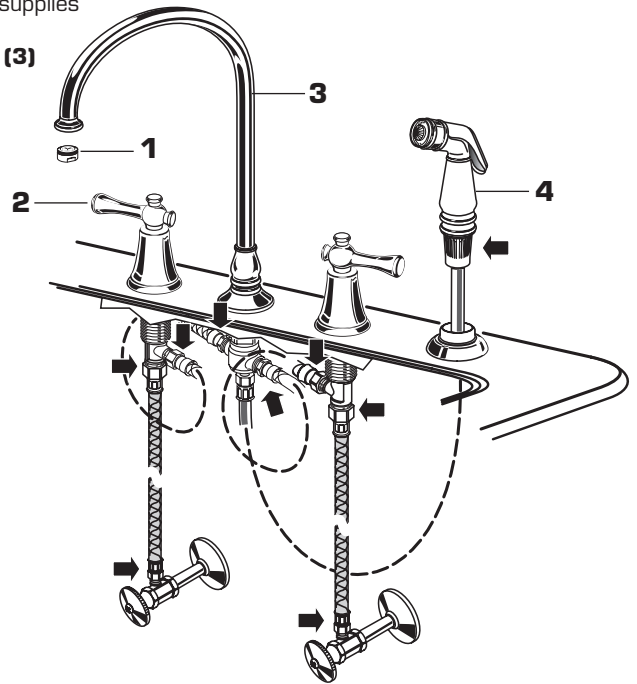
## 6 CONNECT SPRAY HOSE

- Feed SPRAY HOSE (1) through SPRAY HOLDER (2) and attach COUPLING NUT (3) of HOSE (1) to HOSE ADAPTOR (4) on valve body. Tighten COUPLING NUT (3) firmly.



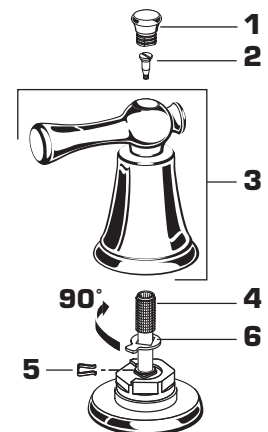
## 7 TEST INSTALLED FAUCET

- Remove AERATOR (1). With HANDLES (2) in OFF position, turn on water supplies and check all connections for leaks. ➔
- Operate both HANDLES (2) to flush water lines thoroughly. Rotate SPOUT (3) in both directions. Replace AERATOR (1).
- Direct SPRAY HEAD (4) into sink and activate SPRAY (4). Check all hose connections for leaks. ➔



## 8 SERVICE

- To change direction of handle rotation, proceed as follows:
  - Turn valve to OFF position. Unthread INDEX BUTTON (1). Remove HANDLE SCREW (2).
  - Pull HANDLE (3) off VALVE STEM (4).
  - Remove SPRING CLIP (5). Lift STOP WASHER (6), turn 90° and replace. Replace SPRING CLIP (5).
  - Find correct position of HANDLE (3) by adjusting male teeth on VALVE STEM (4) to female teeth in HANDLE (3).
  - Re-install HANDLE (3), SCREW (2) and INDEX BUTTON (1).
- If spout drips, operate handles several times from OFF to ON position. Do not force - handles turn only 90°.
- Aerator may accumulate dirt causing distorted and reduced water flow. Remove aerator and rinse clean.



## 9 CARE INSTRUCTIONS:

**DO: SIMPLY RINSE THE PRODUCT CLEAN WITH CLEAR WATER. DRY WITH A SOFT COTTON FLANNEL CLOTH.**

**DO NOT: DO NOT CLEAN THE PRODUCT WITH SOAPS, ACID, POLISH, ABRASIVES, HARSH CLEANERS, OR A CLOTH WITH A COARSE SURFACE.**