



Installation Instructions

9077.801

CLARION™

SPREAD LAVATORY FAUCET WITH POP-UP DRAIN

To ensure that your installation proceeds smoothly—please read these instructions carefully before you begin.



Certified to comply with ANSI A112.18.1M

M968614 REV. 1.2

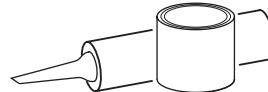
RECOMMENDED TOOLS



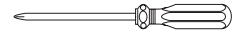
Channel Locks



Adjustable Wrench



Plumbers' Putty or Caulking



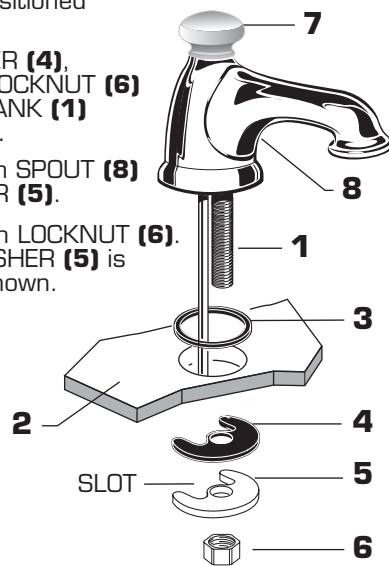
Phillips Screwdriver

1 SPOUT ASSEMBLY

CAUTION

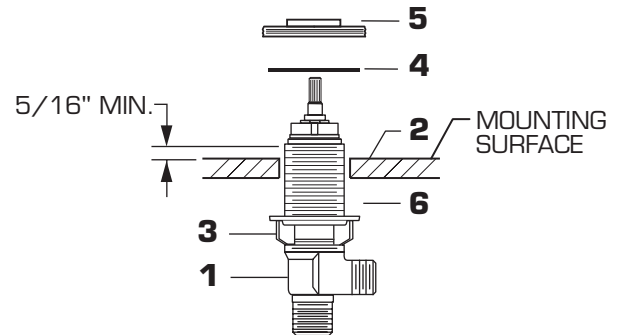
Turn off hot and cold water supplies before beginning.

- Insert SPOUT SHANK (1) through center hole of SINK (2). Make sure RING WASHER (3) is properly positioned into SPOUT BASE.
- Assemble RUBBER WASHER (4), BRASS WASHER (5) and LOCKNUT (6) onto threads of SPOUT SHANK (1) from underside of SINK (2).
- Insert LIFT ROD (7) through SPOUT (8) and slot of BRASS WASHER (5).
- Align SPOUT (8) and tighten LOCKNUT (6). Be sure slot in BRASS WASHER (5) is positioned to the rear as shown.



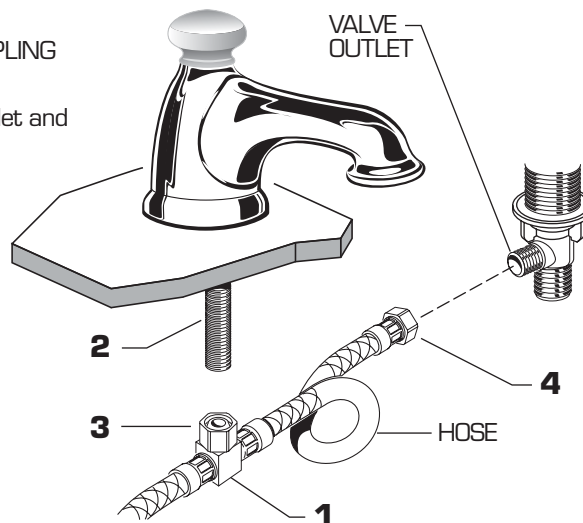
2 VALVE INSTALLATION

- Insert VALVE BODY (1) through hole from underside of SINK (2). Threads of VALVE BODY (1) should extend at least 5/16 inch above SINK (2) top. If necessary, adjust LOCKNUT (3).
- Place RUBBER RING (4) on SINK (2) and screw DECK ADAPTER (5) onto VALVE BODY (1) until snug against internal stop.
- Set VALVE BODIES (1, 1A) so that their outlets are facing toward center of sink and then tighten LOCKNUT (3) to secure VALVE BODIES (1, 1A).



3 TEE AND HOSE INSTALLATION

- Connect TEE (1) to SPOUT SHANK (2). Tighten COUPLING NUT (3).
- Connect COUPLING NUTS (4) of HOSE to each valve outlet and tighten securely.

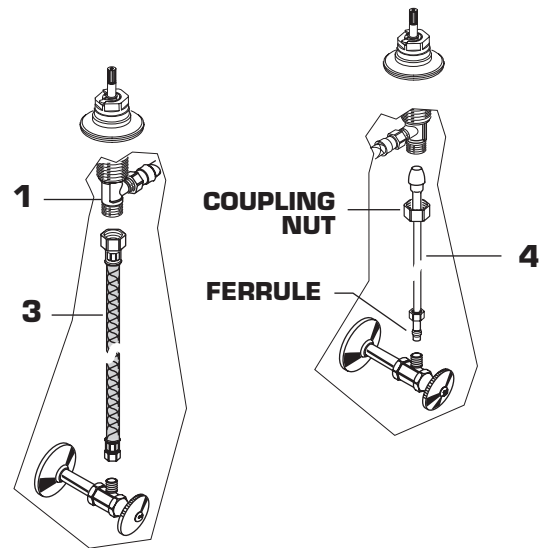


4

MAKE WATER SUPPLY CONNECTIONS

NOTE: FLEXIBLE SUPPLIES OR BULL-NOSE RISERS MUST BE PURCHASED SEPARATELY.

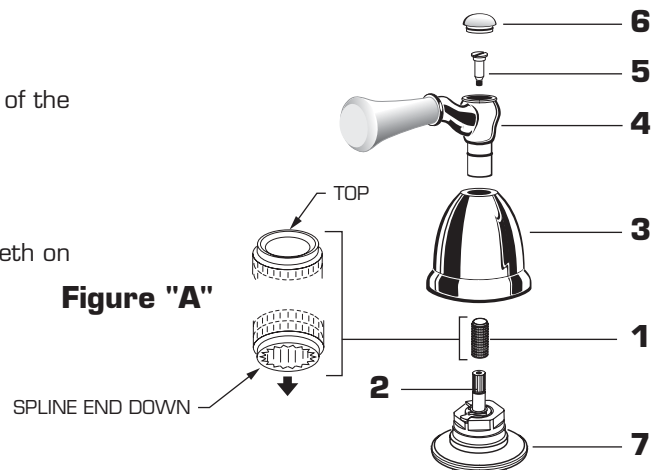
- Connect water supply to FAUCET (1) with 1/2" IPS FLEXIBLE SUPPLIES (3) or 3/8" O.D. BULL-NOSE RISERS (4). Use wrench to tighten connections.
- Do not over tighten. Be careful not to kink copper supply when bending. Use tubing cutter to cut to proper length.



5

INSTALL HANDLES

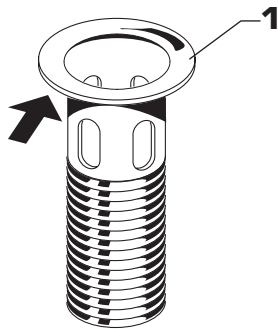
- Push ADAPTER (1) on VALVE STEM (2), so that the hole of the ADAPTER (1) without spline is facing up. See **Figure "A"**.
- Thread HANDLE BASE (3) onto DECK ADAPTER (7).
- Push HANDLE (4) onto ADAPTER (1).
- Find correct position of HANDLE (4) by adjusting male teeth on ADAPTER (1) to female teeth in HANDLE (4).
- Secure HANDLE (4) with HANDLE SCREW (5).
- Push INDEX CAP (6) in hole of HANDLE (4).



6

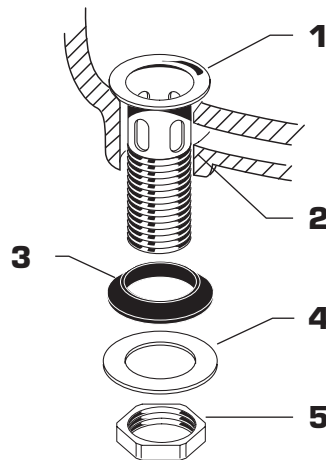
INSTALL POP-UP DRAIN

- Apply a bead of putty to underside of FLANGE (1).



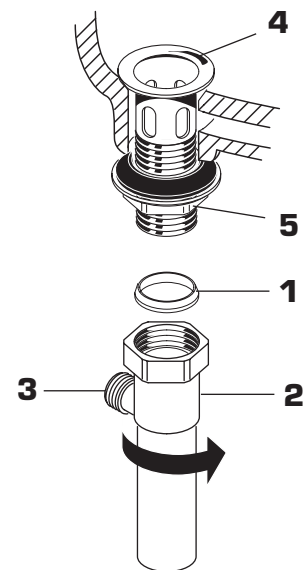
6a

- Drop FLANGE (1) into LAVATORY DRAIN (2). From below assemble RUBBER GASKET (3), METAL WASHER (4) and LOCK NUT (5). Do not tighten.



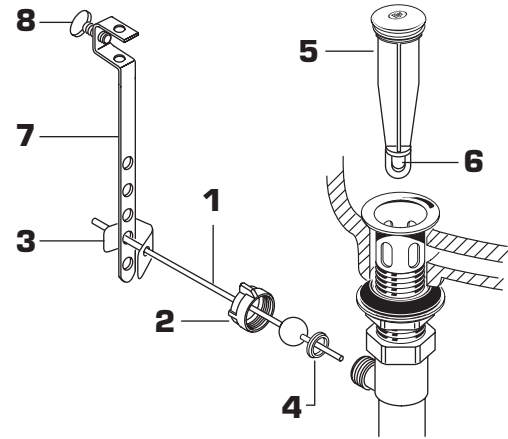
6b

- Place SEAL (1) with small end facing up into TAILPIECE (2) and tighten against DRAIN BODY (4). PIVOT ROD (3) opening in TAILPIECE (2) should face the rear of the lavatory. Tighten LOCK NUT (5) with channel locks. Do not over tighten.



6C INSTALL POP-UP DRAIN

- Assemble PIVOT ROD (1), PIVOT NUT (2), CLIP (3) and SEAL (4) as shown. Hand tighten PIVOT NUT (2) Drop STOPPER (5) into drain. **(For vandal proof drain rotate stopper so PIVOT ROD (1) goes through EYE (6) of STOPPER (5)).** Make connection to "P" TRAP.
- Remove one end of CLIP (3) from PIVOT ROD (1) by squeezing ends together while sliding.
- Insert PIVOT ROD (1) into second or third hole in EXTENSION (7) and reassemble CLIP (3). **(EXTENSION (7) may need to be bent).**
- Adjust STOPPER (5) height by repositioning EXTENSION (7) and tightening THUMBSCREW (8).

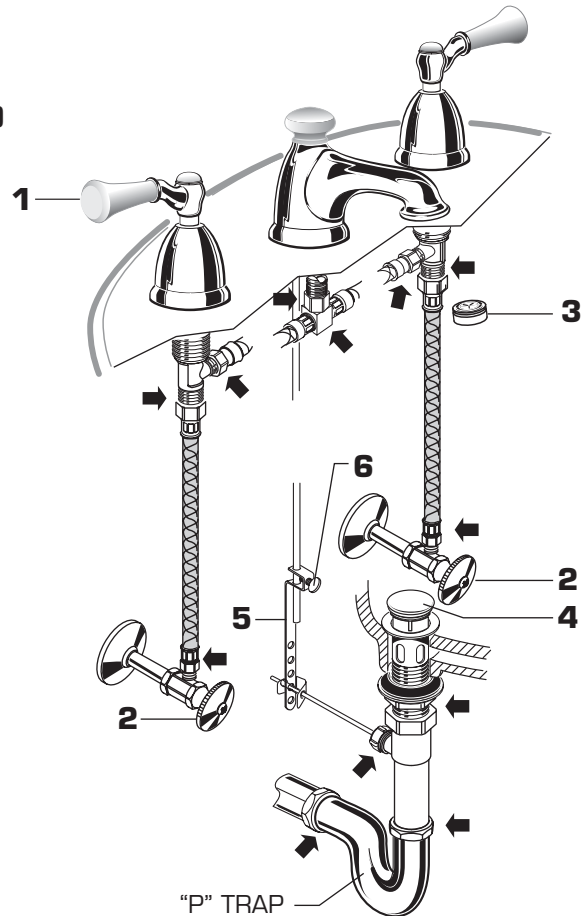


7 TEST INSTALLED FITTING

- With HANDLES (1) in OFF position, turn on WATER SUPPLIES (2) and check all connections for leaks.
- Remove AERATOR (3).
- Operate both HANDLES to flush water lines thoroughly.
- Replace AERATOR (3).

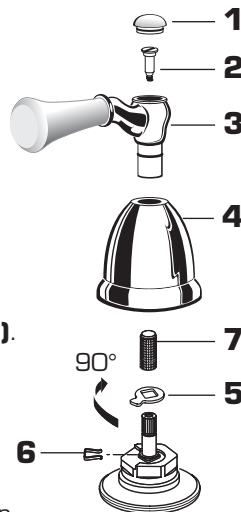
CHECK DRAIN CONNECTIONS

- Operate Lift Rod and fill lavatory with water. Check that DRAIN STOPPER (4) makes a good seal and retains water in lavatory. If DRAIN STOPPER (4) does not seal properly, adjust STOPPER (4) height by repositioning EXTENSION (5) and tightening THUMBSCREW (6).
- Release DRAIN STOPPER (4) and check all drain connections and "P" trap for leaks. Tighten if necessary.



8 SERVICE

- To change direction of handle rotation, proceed as follows:
 - Turn valve to OFF position.
 - Pull out INDEX CAP (1) and remove HANDLE SCREW (2).
 - Pull off HANDLE (3), and unscrew ESCUTCHEON (4).
 - Pull off STEM ADAPTER (7).
 - Remove SPRING CLIP (6).
 - Lift STOP WASHER (5), turn 90° and replace.
 - Replace SPRING CLIP (6) and STEM ADAPTER (7).
 - Reinstall ESCUTCHEON (4) and HANDLE ASSEMBLY (1, 2 & 3).
- If spout drips, operate handles several times from OFF to ON position. Do not force - handles turn only 90°.
- Aerator may accumulate dirt causing distorted and reduced water flow. Remove aerator and rinse clean.



9 CARE INSTRUCTIONS:

DO: SIMPLY RINSE THE PRODUCT CLEAN WITH CLEAR WATER. DRY WITH A SOFT COTTON FLANNEL CLOTH.

DO NOT: CLEAN THE PRODUCT WITH SOAPS, ACID, POLISH, ABRASIVES, HARSH CLEANERS, OR A CLOTH WITH A COARSE SURFACE.