

WHIRLPOOL, AIR BATHS AND SOAKING TUBS

MODEL NUMBERS:

0150142L	Cabrillo Soaking Tub - Left Drain
0150142R	Cabrillo Soaking Tub - Right Drain
0250142L	Cabrillo Whirlpool- Left Drain
0250142R	Cabrillo Whirlpool- Right Drain
0250142LK2	Cabrillo Acrylic Whirlpool w/Chromatherapy - Left Drain
0250142RK2	Cabrillo Acrylic Whirlpool w/Chromatherapy - Right Drain
0350142L	Cabrillo Air Bath - Left Drain
0350142LR	Cabrillo Air Bath - Right Drain
0450142L	Cabrillo Combo Tub - Left Drain
0450142R	Cabrillo Combo Tub - Right Drain
0450142LK2	Cabrillo Combo Tub w/Chromatherapy - Left Drain
0450142RK2	Cabrillo Combo Tub w/Chromatherapy - Right Drain
0150140	LaSalle Soaking Tub
0250140	LaSalle Whirlpool
0250140K2	LaSalle Whirlpool w/Chromatherapy
0350140	LaSalle Air Bath
0450140	LaSalle Combo Tub
0450140K2	LaSalle Combo w/Chromatherapy
0150141	LaSalle XL Soaking Tub
0250141	LaSalle XL Whirlpool
0250141K2	LaSalle XL Whirlpool w/Chromatherapy
0350141	LaSalle XL Air Bath
0450141	LaSalle XL Combo Tub
0450141K2	LaSalle XL Combo w/Chromatherapy
1451018	Stratton 6 Jet Drop-in Whirlpool
1452018	Westerly 10 Jet Corner Whirlpool
1452002	Westerly Soaking Tub
1452068	Westerly Corner Air Bath
1452448	Westerly WP/Air Combo
1452448K2	Westerly WP/Air Combo w/Lights

THANK YOU for selecting an Eljer bathing product. To ensure this product is installed properly, please read these instructions carefully before you begin. Certain installations may require professional help. Also be sure your installation conforms to local codes.

- **Please unpack carefully and identify all parts needed for installation. Inspect to product and report any damages or missing parts immediately to customer care by calling 855-815-0004.**
- **Wear protective equipment during installation to avoid injury.**
- **Please keep these instructions for after care and customer service detail.**



WARNING: PRODUCT IS HEAVY AND REQUIRES TWO PEOPLE FOR INSTALLATION.








All product names listed herein are trademarks of Eljer unless otherwise noted.

© Eljer 2021

IMPORTANT SAFETY INSTRUCTIONS

INSTRUCTIONS PERTAINING TO A RISK OF FIRE, ELECTRIC SHOCK OR INJURY TO PERSONS

READ AND FOLLOW ALL INSTRUCTIONS!

-  **DANGER: Risk of personal injury.** Do not permit children to use this unit without adult supervision.
-  **WARNING: Risk of personal injury.** Do not operate this unit without the guard over the suction fitting.
-  **WARNING: Risk of electric shock.** Do not permit electrical appliances (hair dryer, telephone, radio, etc.) within 60 inches (1524 mm) of this unit.
-  **WARNING: Risk of hyperthermia and possible drowning.** People using medications and/or having adverse medical history should consult a physician before using this product.
-  **WARNING: Risk of personal injury.** Do not overfill unit before entering. Entering tub when filled more than 2/3 can cause overflow and slippery conditions. Exercise caution when entering and exiting.
-  **WARNING: No Food or Alcoholic Beverages.** Use of your bathtub immediately after meals is not recommended. Avoid alcohol consumption before or during bathing. Alcoholic beverages can cause drowsiness or hyperthermia resulting in loss of consciousness or even drowning.
-  **WARNING: Pregnancy.** If you are or think you may be pregnant, consult your physician before using the bathtub.

Never drop or insert any object into any opening.

Use this unit only for its intended use as described in this manual. Do not use any attachments not recommended by Eljer.

The unit must be connected only to a supply circuit that is properly protected by a ground-fault circuit-interrupter (GFCI). Such a GFCI should be provided by the installer and should be tested on a routine basis. To test the GFCI, push the test button. The GFCI should interrupt power. Push the reset button. Power should be restored. If the GFCI fails to operate in this manner, the GFCI is defective. If the GFCI interrupts power to the bathtub without the test button being pushed, a ground current is flowing, indicating the possibility of an electric shock. Do not use this hydromassage bathtub. Disconnect the hydromassage bathtub and have the problem corrected by a licensed electrician before using.

A pressure wire connector is provided on the exterior of the motor unit to permit connection of a no. 8 AWG solid copper bonding conductor between this unit and all other electrical equipment and exposed metal in the vicinity, as needed to comply with local requirements. To reduce the risk of an electric shock, connect this connector to the grounding terminal of your electric service or supply panel with a conductor equivalent in size to the circuit conductors supplying this unit.

SAVE THESE INSTRUCTIONS

Installation and Framing Instructions

Each bath arrives ready for installation, completely equipped with the pump and plumbing necessary for operation. **A drain/overflow kit is required for each bath and it is not included.**

The variety of installations for this bath may require framing procedures other than those shown. Locate studs as required. Ensure roughing-in dimensions are proper, plumb and square.

- ⚠ Remove the bath from the carton. Retain the shipping carton until satisfactory inspection of the product has been made. Do not lift the bath by the plumbing at any time; handle by the shell only.

- ⚠ All bath units are factory tested for proper operation and watertight connections prior to shipping. Prior to installation and before enclosing with wallboard, tile, etc., the bath must be filled with water and operated to check for leaks that may have resulted from shipping damage or mishandling.

- ⚠ The sumps of these baths are not supported by the feet and additional sump support is required. Once the bath is in place, the rim of the bath should contact the stringer or pier but supports no weight.

- ⚠ Provisions must be made in all installations for an access opening for servicing the bath pump. Unless an access opening of at least 12" x 24" (305mm x 610mm) is provided, warranty service will not be performed. It is strongly recommended that an additional opening be provided for access to drain components.

- ⚠ Each bath has a nominal length (L), width (W), and Height (H) along with a rim height. Unless otherwise noted in the following rough-in references, assume that the nominal tolerances are as much as +/-1/4 inch (6mm). Therefore, it is strongly recommended that the installer build the surrounding structure after receiving the actual bath. Structural measurements should be verified against the actual bath received to ensure proper fit.

INSTALLATION AND FRAMING INSTRUCTIONS

The variety of installations possible for this whirlpool may require framing procedures other than those shown. Locate studs as needed. Ensure roughing-in dimensions are proper, plumb and square. Provisions must be made in all installations for an access opening for servicing the pump and controls. It is strongly recommended that an additional opening be provided for access to the drain components. The apron should not be used as the primary access opening.

1. Position the whirlpool into the installation opening and level the deck in both directions, shimming the integral leveling feet IF necessary. Mark the final position of the underside of the deck by tracing a line on to the studs (see Figure 1).

2. Remove the whirlpool and attach a 1 x 4 stringer to the studs, with the top of the stringer touching the traced line.

! The rim of the bath **must not** support weight.

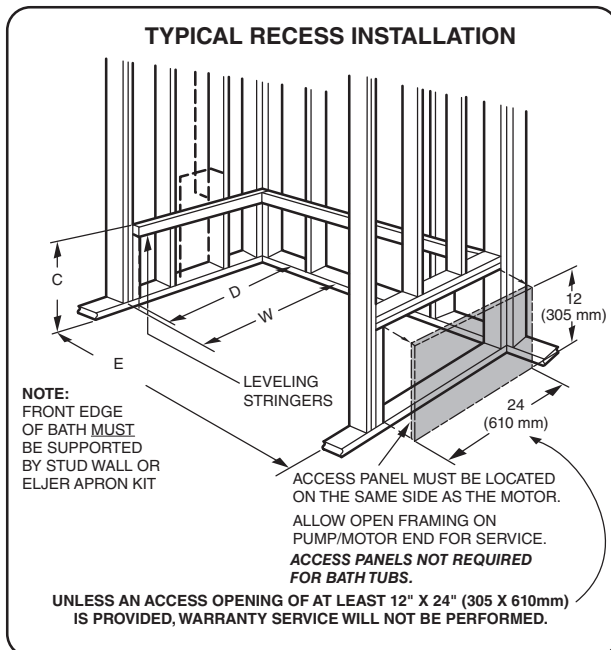
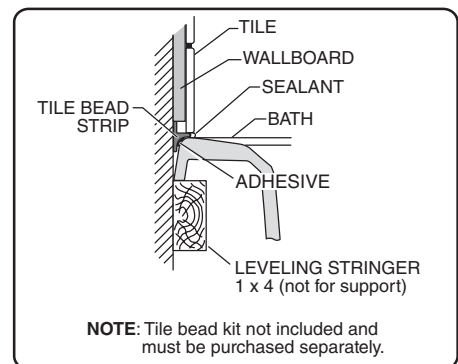
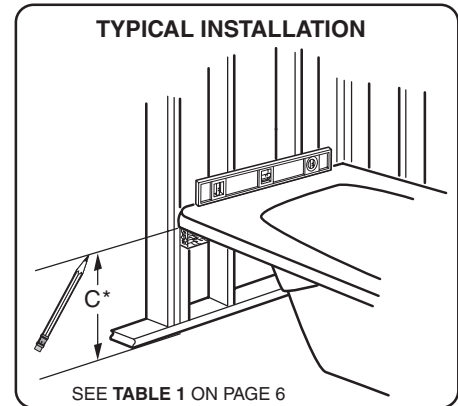
3. Install drain components to the whirlpool following the drain installation instructions. Before replacing your whirlpool for final installation, be certain that an opening has been provided in the sub-floor for the drain. See the roughing-in drawing and Table 1 for suggested opening size (shadowed) and location dimensions. The drain/overflow of the bath extends below the bottom of the bath. Note that this requires a cutout in the floor.

! The floor structure beneath the bath must be able to support a total weight of bath, water, and bather. Refer to Table 1 under total weight for your model.

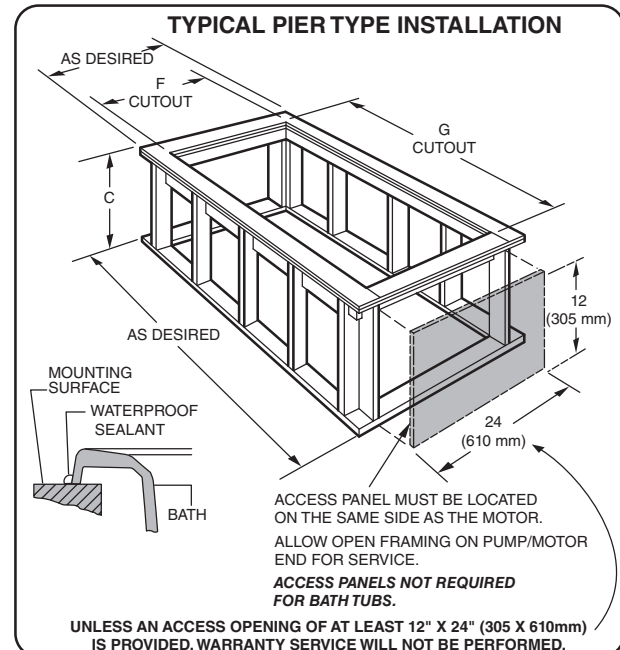
The bath must be supported along its entire bottom. Use mortar as bedding material (do not use sand or foam). Apply enough mortar to support the complete bottom of the bath. After the mortar has been poured, and before it sets, position whirlpool or bath until the rim is leveled against the leveling stringers or mounting surfaces (see "Typical Installations") shown below.

! The rim of the bath **must not** support weight. If foundation base is used, allow the bedding material to completely harden before applying weight to the rim or bottom of the bath. Any finish material such as tile or wall board must be self-supporting if it contacts the deck of the bath.

FIGURE 1



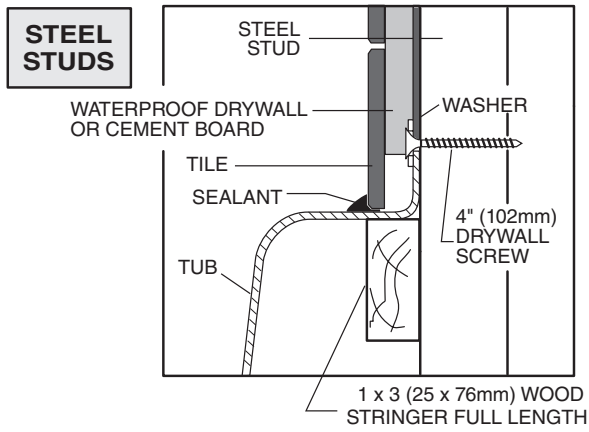
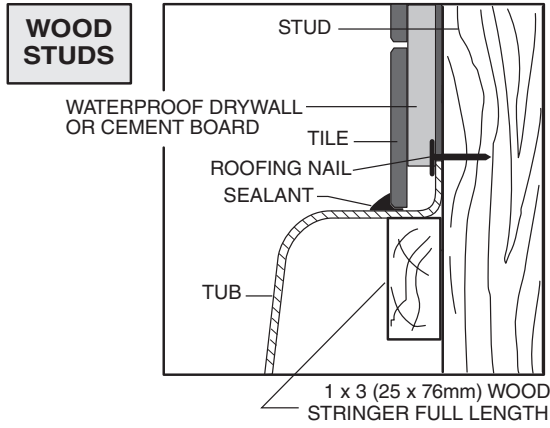
FOR C, D, E & W DIMENSIONS SEE TABLE 1 ON PAGE 6



FOR C, G & F DIMENSIONS SEE TABLE 1 ON PAGE 6

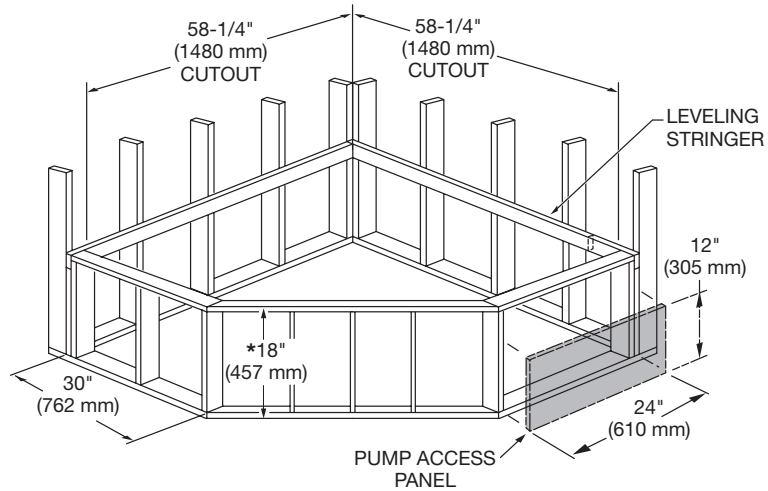
TYPICAL FLANGE MOUNTING DETAIL

SUGGESTED WHIRLPOOL / BATH INSTALLATION METHOD



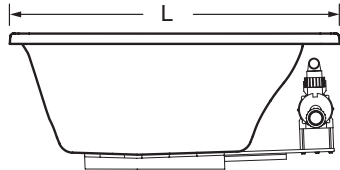
**SECURE THE BATH TO THE STUDS AS SHOWN
FOR WOOD OR STEEL STUD CONSTRUCTION.**

TYPICAL CORNER INSTALLATION

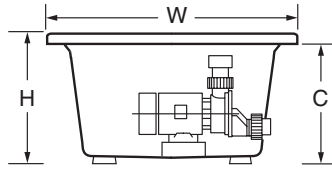


**UNLESS AN ACCESS OPENING OF AT LEAST 12" x 24" (305 x 610 mm)
IS PROVIDED, WARRANTY SERVICE WILL NOT BE PERFORMED.**

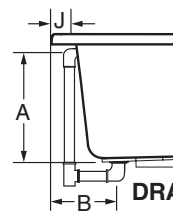
SPECIFICATIONS:



SIDE VIEW



END VIEW



DRAIN / OVERFLOW

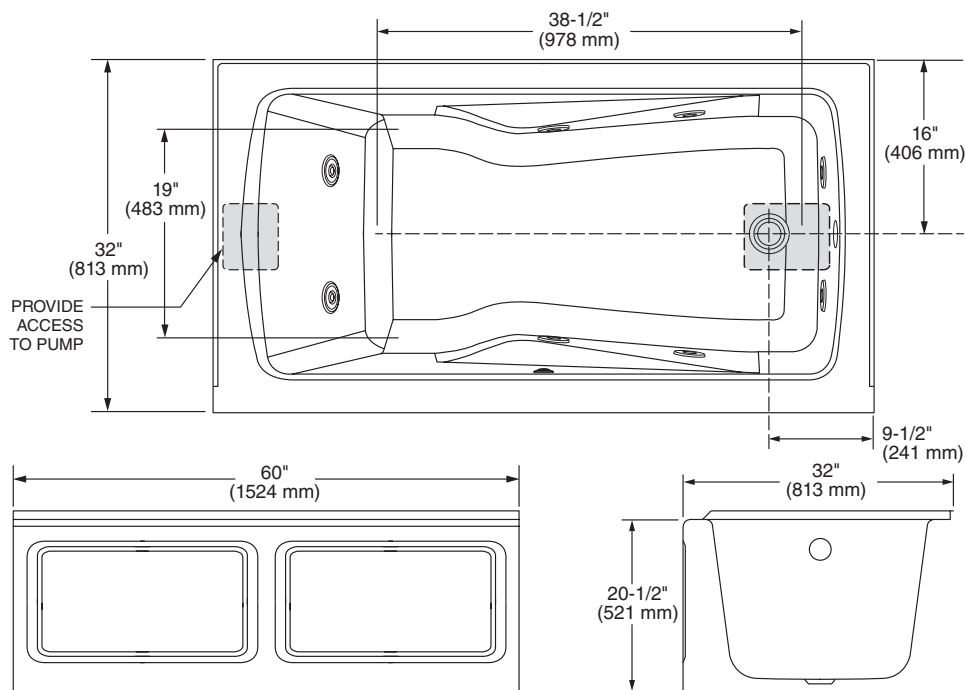
GENERAL SPECIFICATIONS FOR ELJER WHIRLPOOLS AND BATH TUBS

Description	Dimensions L-W-H	Drain / Overflow	Height to Underside of Deck: C	Cut Out Pier G x F	Rough-In Recess E x D	Tub Edge to Centerline Overflow: J	Weight with Water / Floor Loading	Product Weight	Gallon to Overflow
025-0142R 025-0142L 5' x 32" Cabrillo	L 60" (1524 mm) W 32" (813 mm) H 20-1/2" (520 mm)	A 16" (406 mm) B 9-1/2" (241 mm)	C 20" (508 mm)	Not Applicable	60-1/8" (1527 mm) x 30-1/2" (775 mm)	1-3/4" (44 mm)	699 lb. (318 kg)/ 52 lb./sq.ft. (256 kg/sq.m)	124 lb. (56 kg.)	69
025-0140 5' x 32" LaSalle	L 60" (1524 mm) W 32" (813 mm) H 20" (508 mm)	A 16" (406 mm) B 9-1/2" (241 mm)	C 18-1/2" (469 mm)	58-1/2" (1486 mm) x 30-1/2" (775 mm)	60-1/8" (1527 mm) x 30-1/2" (775 mm)	1-3/4" (44 mm)	548 lb. (249 kg)/ 41 lb./sq.ft. (201 kg/sq.m)	90 lb. (41 kg.)	55
025-0141 5' x 36" LaSalle XL	L 72" (1829 mm) W 36" (914 mm) H 21" (533 mm)	A 17" (432 mm) B 9-1/2" (241 mm)	C 19-1/2" (495 mm)	70-1/2" (1791 mm) x 34-1/2" (876 mm)	72-1/8" (1832 mm) x 34-1/2" (876 mm)	1-3/4" (44 mm)	862 lb. (392 kg)/ 48 lb./sq.ft. (234 kg/sq.m)	112 lb. (51 kg.)	90
1451018 5' x 32" Stratton	L 60" (1524 mm) W 32-3/4" (832 mm) H 19-3/4" (502 mm)	A 17-1/4" (438 mm) B 8-1/2" (216 mm)	C 18-1/4" (464 mm)	58-1/2" (1486 mm) x 31-1/4" (794 mm)	60-3/16" (1529 mm) x 31-1/4" (794 mm)	2-5/8" (67 mm)	524 lb. (237 kg)/ 43 lb./sq.ft. (213 kg/sq.m)	65 lb. (30 kg.)	55 gal. (208 L.)
1452018 59-3/4" x 59-3/4" Westerly	L 59-3/4" (1518 mm) W 59-3/4" (1518 mm) H 19-1/2" (495 mm)	A 14-3/4" (375 mm) B 12-1/2" (318 mm)	C 18" (457 mm)	58-1/4" (1480 mm) x 58-1/4" (1480 mm)	Not Applicable	7-1/4" (184 mm)	908 lb. (412 kg)/ 36 lb./sq.ft. (177 kg/sq.m)	115 lb. (115 kg.)	74 gal. (281 L.)

TABLE 1

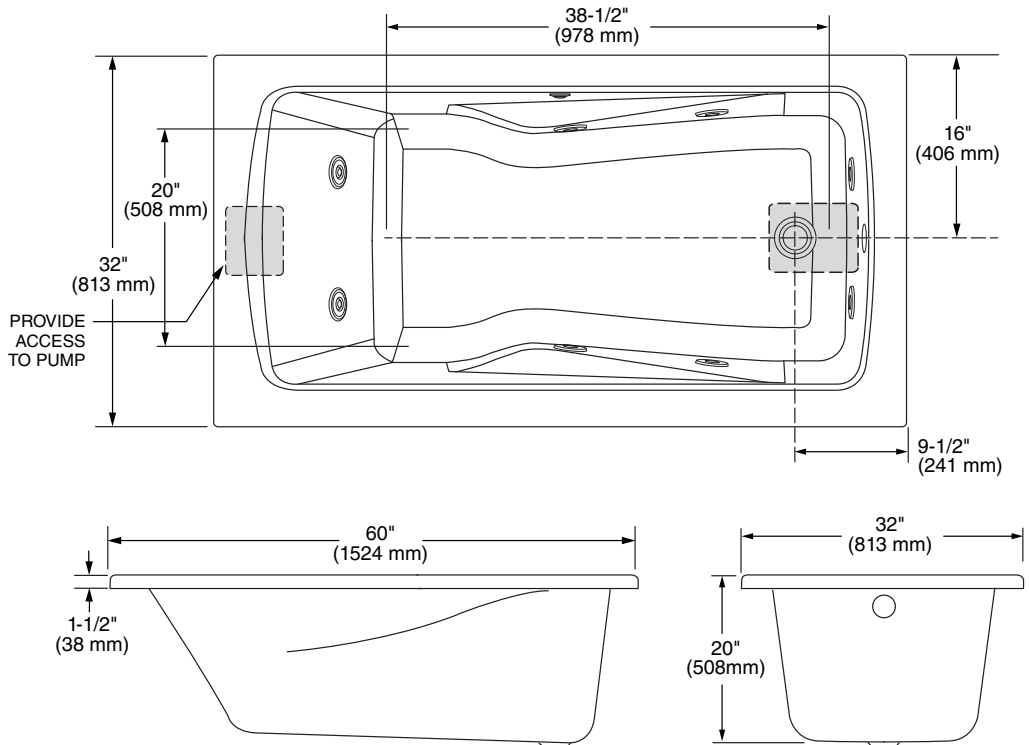
ROUGH-IN REFERENCES

CABRILLO MODEL 025-0142R/L

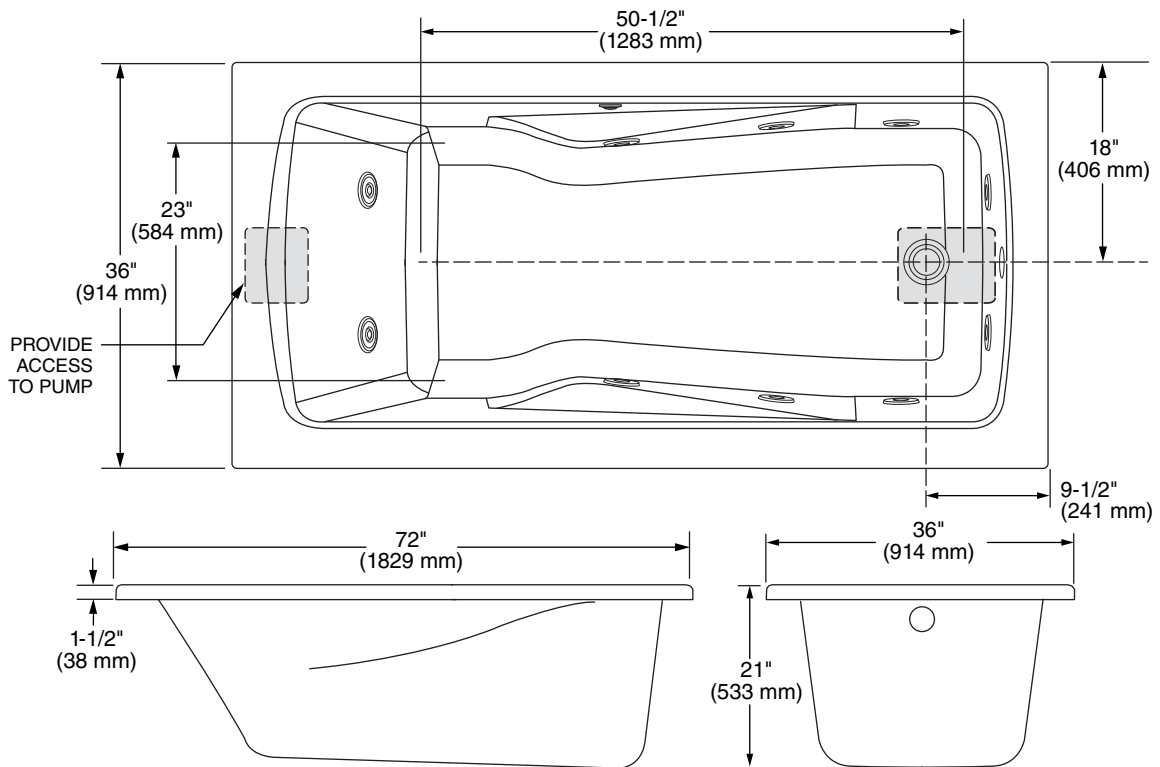


ROUGH-IN REFERENCES

LASALLE MODEL 025-0140

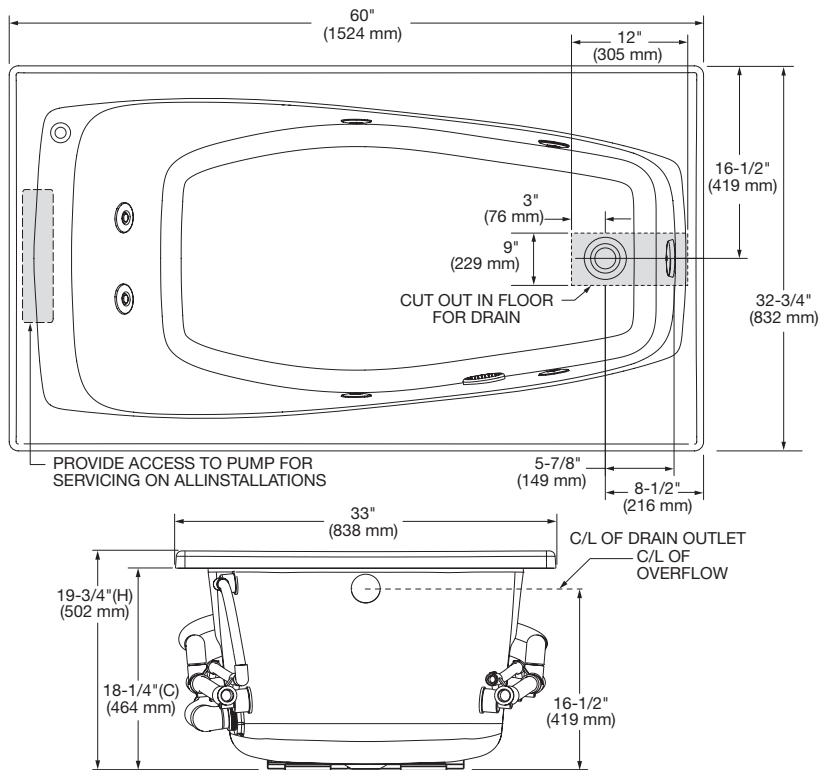


LASALLE XL MODEL 025-0141

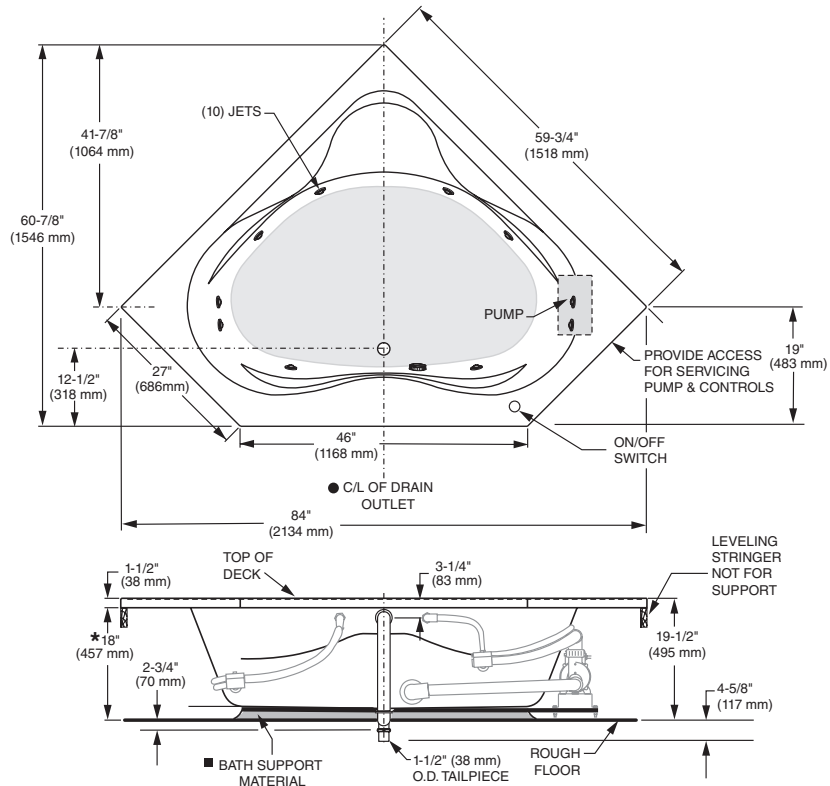


ROUGH-IN REFERENCES

STRATTON MODEL 1451018

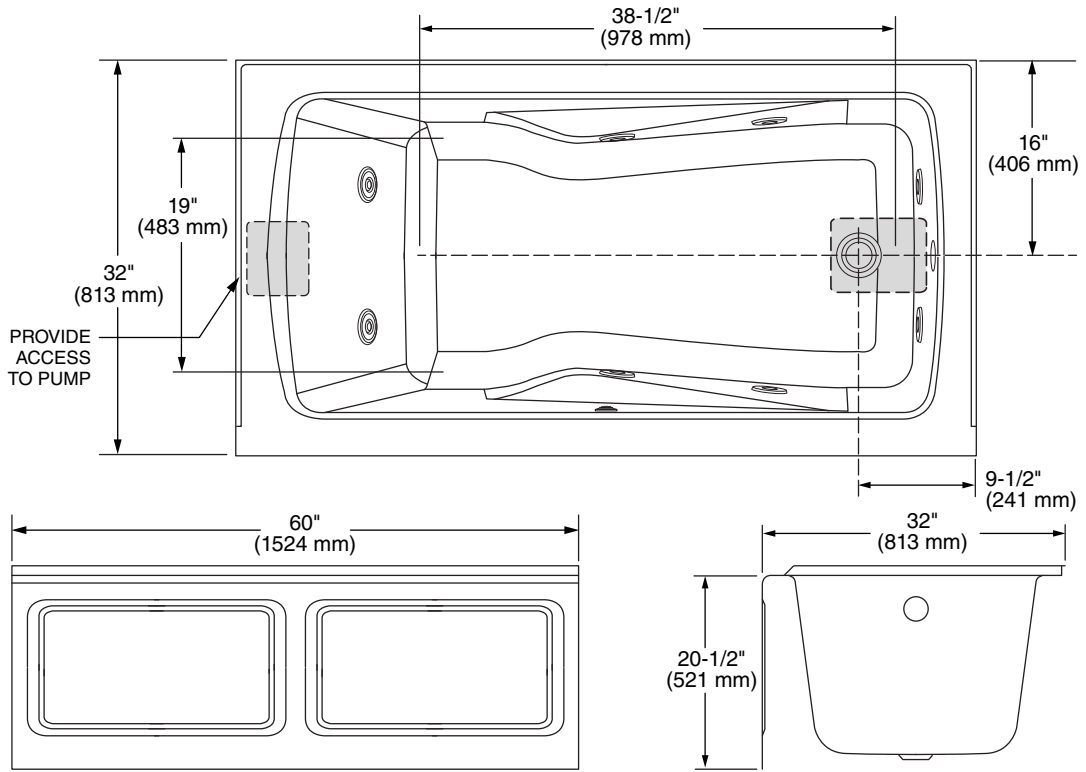


WESTERLY MODEL 1452018



ROUGH-IN REFERENCES

CABRILLO MODEL 025-0142R/L



ELECTRICAL INSTALLATION INSTRUCTIONS

All wiring must be performed by a licensed electrician in accordance with the national electrical code and all other applicable codes.

WARNING: RISK OF ELECTRIC SHOCK

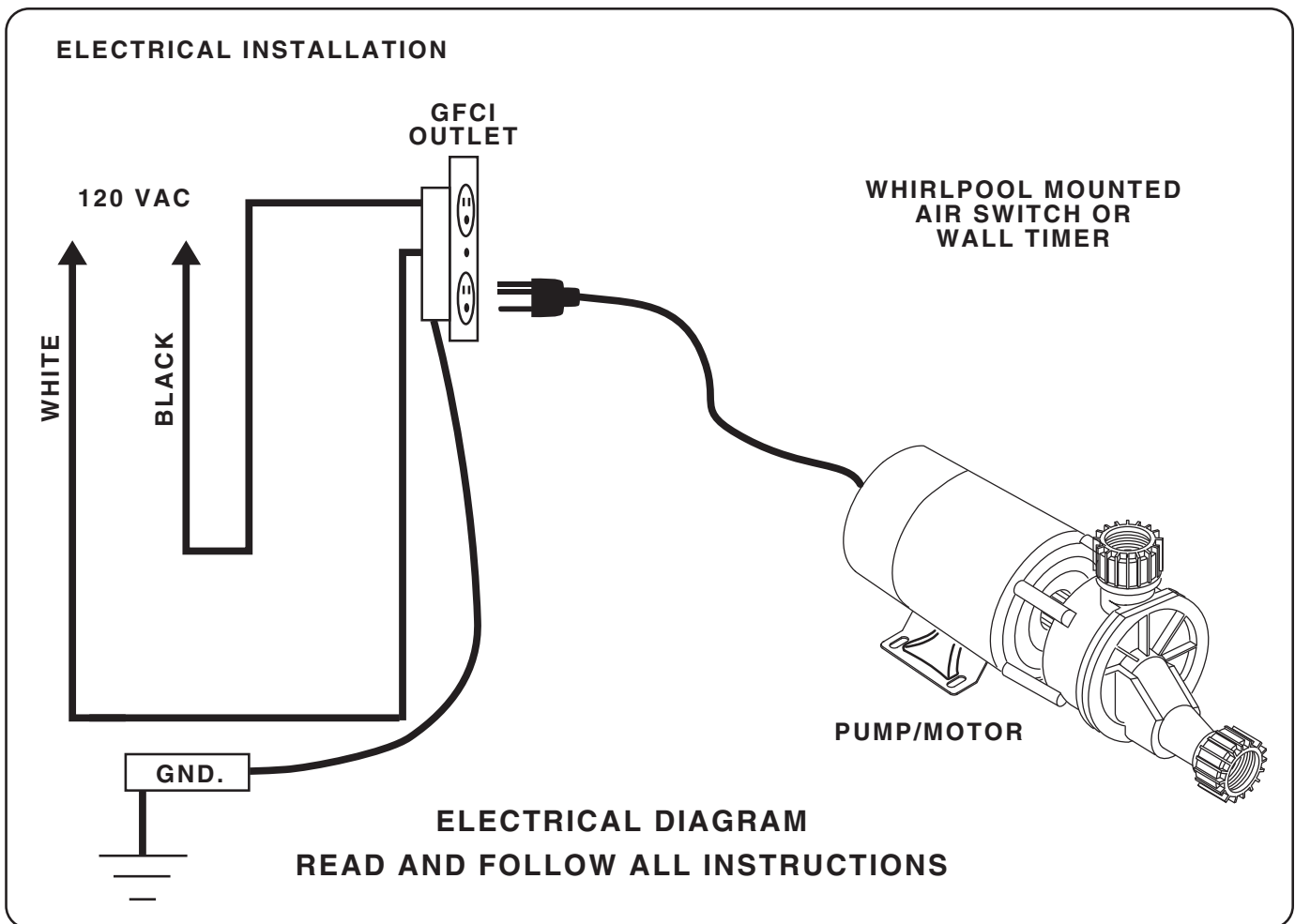
When using electrical products, basic precautions should always be observed, including the following:

1. Connect only to a circuit protected by a ground-fault circuit interrupter.
2. Grounding is required. The unit should be installed by a licensed electrician and grounded.
3. Install to permit access for servicing.
4. All building materials and wiring should be routed away from the pump body and heater (if equipped).

AIR SWITCH WHIRLPOOLS

The whirlpool should be installed on a 120 vac, 15 amp dedicated circuit. The circuit should be hard-wired from the electrical power supply panel. The circuit must be a three (3) wire circuit from the electrical supply panel. A grounded neutral wire and a third wire, earth ground, are essential. **A SEPARATE 15 AMP MAXIMUM GFCI CIRCUIT IS REQUIRED IF THE OPTIONAL HEATER IS INSTALLED (SEE INSTALLATION INSTRUCTIONS SUPPLIED WITH THE HEATER MODEL NUMBER – 494-1000).**

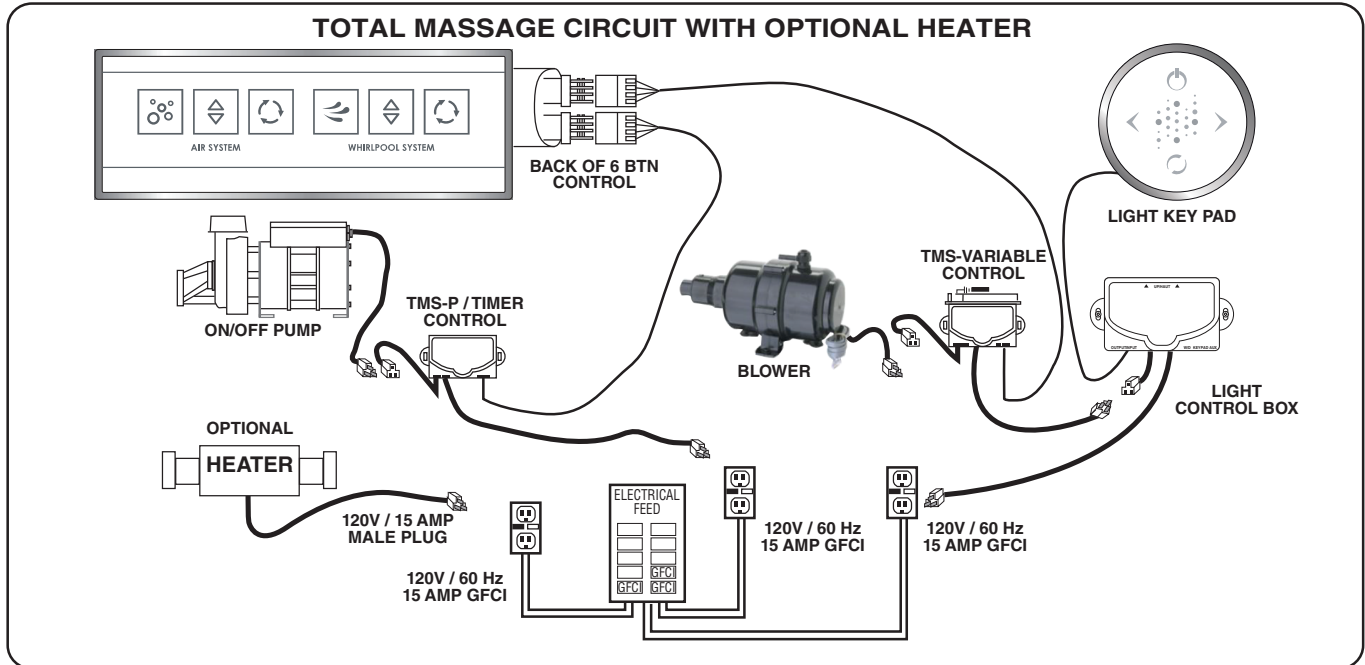
NOTE: DO NOT USE A WALL MOUNTED TIMER TO CONTROL THE HEATER.



ELECTRICAL INSTALLATION INSTRUCTIONS (continued)

WHIRLPOOL PLUS AIR BATH COMBINATIONS

The whirlpool pump should be installed on a 120 vac, 15 amp dedicated circuit. The blower/lights should be installed on a separate 120 vac, 15 amp dedicated circuit. The circuit should be hard-wired from the electrical power supply panel. The circuit must be a three (3) wire circuit from the electrical supply panel. A grounded neutral wire and a third wire, earth ground, are essential. **A SEPARATE 15 AMP MAXIMUM GFCI CIRCUIT IS REQUIRED IF THE OPTIONAL HEATER IS INSTALLED (SEE INSTALLATION INSTRUCTIONS SUPPLIED WITH THE HEATER MODEL NUMBER – 494-1000). NOTE: DO NOT USE A WALL MOUNTED TIMER TO CONTROL THE HEATER.**



PUMP INSTRUCTIONS

- ON/OFF PUMP:**
1st Press — The blower starts. 2nd Press — The blower stops.
- PUMP SPEED VARIATION:**
1st Press — Press & hold to increase the pump speed, release pressure at the desired speed.
2nd Press — Press & hold to decrease the pump speed, release pressure at the desired speed.
- PUMP CYCLES:**
1st Press — Wave Cycle - Speed goes gradually from maximum to minimum.
2nd Press — Pulse Cycle - Speed goes rapidly from maximum to minimum.
3rd Press — Return to medium speed.

BLOWER INSTRUCTIONS

- ON/OFF BLOWER:**
1st Press — The blower starts. 2nd Press — The blower stops.
- SPEED VARIATION:**
1st Press — Press & hold to increase the blower speed, release pressure at the desired speed.
2nd Press — Press & hold to decrease the blower speed, release pressure at the desired speed.
- BLOWER CYCLES:**
1st Press — Wave Cycle - Speed goes gradually from maximum to minimum.
2nd Press — Pulse Cycle - Speed goes from minimum the straight back to maximum.

ADVANCE PROGRAMMING

INTEGRATED 20 MINUTE AUTOMATIC TIMER:

Integrated 20 minute automatic timer on each system.

DRYING CYCLE:

A 1 minute automatic drying cycle will start 20 minutes after the blower is turned off.

CHROMATHERAPY INSTRUCTIONS

- ON/OFF CHROMATHERAPY:**
1st Press — Starts the chromatherapy in white. White is only available when system starts.
2nd Press — Chromatherapy stops.
- PREVIOUS COLOR / SPEED INCREASE:**
Press — Press return to to the previous color. On Rainbow cycle: increase the speed. Hold to quickly change between colors. Release at the desired color.
- NEXT COLOR / SPEED DECREASE:**
Press — Press return to to the next color. On Rainbow cycle: decrease the speed. Hold to quickly change between colors. Release at the desired color.
- CHROMATHERAPY CYCLE:**
1st Press — Rainbow cycle starts.
2nd Press — Stops on current color.
3rd Press — Turquoise.
4th Press — Back to rainbow mode.

OPERATING INSTRUCTIONS

1. Fill the bath to at least 3 inches above the jets before activating the pump.
2. The pump is activated by an on/off switch. Each depression of the button switches the power either on or off.
Do not repeatedly depress the switch in rapid order if you do not see the whirlpool function right away, as it may take a few seconds before you can see it fully operating.
3. If any factory installed fittings are removed do not operate the unit. A safety hazard may occur.
4. Do not use bubble bath when you operate the whirlpool pump.
This might cause excessive foaming.
5. Both air and whirlpool systems are plumbed in a way that water will drain from the plumbing easily.

ON-OFF SWITCH

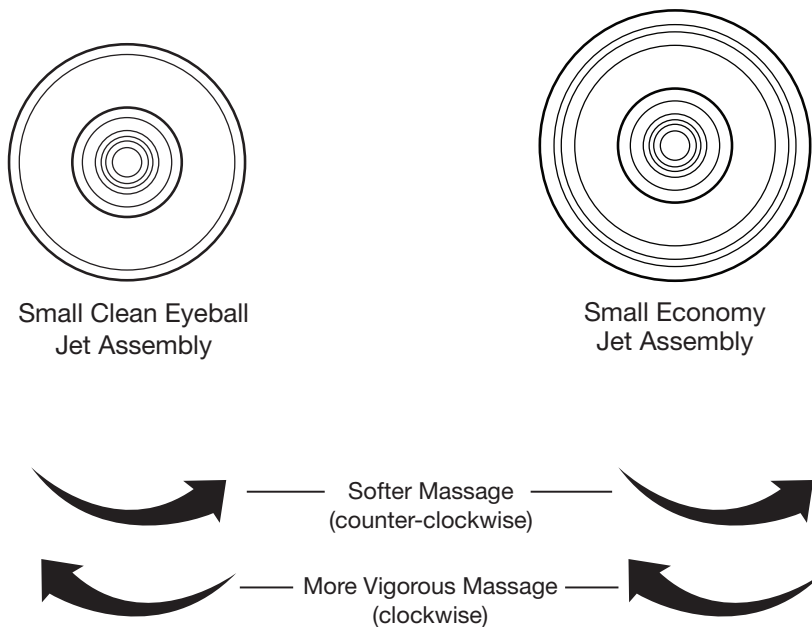
The whirlpool bath pump is activated by an on-off switch. Each depression of the switch will actuate the pump. If off, one depression will turn the pump on. If on, the next depression will turn it off.



AIR SWITCH

ADJUSTABLE FLOW:

The water flow action may be adjusted from vigorous to soft by rotating the nozzle clockwise for vigorous and counterclockwise for soft.



POST INSTALLATION CLEAN-UP

Remove all construction debris from bath. Tile grout can be removed with a wooden popsicle stick or tongue depressor. Do not use wire brushes or any other metal implement on bath surface.

Post installation clean-up generally can be completed using warm water and liquid dishwashing detergent. Stubborn dirt or stains may be removed using granular Spic and Span® mixed with water.

Painter's naphtha can be used to remove excess adhesives and/or wet oil-base paint.

Your Eljer whirlpool is designed to give you many years of pleasure with reasonable care and maintenance.

Your new acrylic bathtub is tough, durable and easy to care for. The colors have been formulated to match other Eljer fixtures and enhance your choice of bathroom decorations. The high gloss surface will retain its lasting luster with proper care and maintenance.

CLEANING AND MAINTENANCE:

- Always fill the tub with temperate water. Excessively hot water (greater than 130° F) may cause surface damage.
- Remove bath mat after use and hang to dry. Allowing bath mat to dry in the tub may cause surface damage.
- Clean after use with a mild liquid household detergent cleaner. Do not turn on jets when such cleaners are present.

Do not use: Lestoil® Cleaner; Lysol® Disinfectant (spray or concentrate); or Lysol® Basin, Tub and Tile Cleaner; Windex® Cleaner; Mr. Clean® Cleaner; Dow® Disinfectant Bathroom Cleaner*; or other cleaning products in aerosol cans.

HARSH CHEMICALS, SHARP AND ABRASIVE OBJECTS SHOULD NEVER BE USED ON ACRYLIC SURFACES

- Do not use wire brushes, knives or sharp objects to remove stains or other surface blemishes.
- Use of abrasive cleaners or powders will dull the surface. If the glossy surface loses its sheen, dulled areas can be partially restored by rubbing with a white automotive body polishing compound and waxing with a liquid wax.
Do not wax surfaces where you walk or stand.
- Do not allow nail polish remover, acetone, dry-cleaning fluid, paint remover, or other solvents to come into contact with the surface.
- Clean the surrounding surface immediately after using caustic drain cleaners.
Do not permit drain cleaner to enter circulation system.
- Burning cigarettes will irreparably damage the surface of the whirlpool.

CLEANING/PURGING THE CIRCULATION SYSTEM

Once every month the circulating system must be purged and cleaned. Follow the steps outlined below:

1. Fill whirlpool with warm water and add two teaspoons of powdered automatic dishwasher (not laundry) detergent and one-half cup of household bleach to filled whirlpool.
2. Activate whirlpool system in accordance with operating instructions and run system for two minutes.
3. Drain and refill whirlpool with cold water. Circulate for five minutes.
4. Drain whirlpool completely after step 3 (above) is completed.

NOTE: Any other servicing should be performed by a qualified service representative.

For Troubleshooting and Repair Parts please log on to www.eljer.com

* Lestoil® is a registered trademark of The Clorox Company.
Lysol® is a registered trademark of The Linden Company.
Windex® is a registered trademark of S.C. Johnson and Son, Inc.
Mr. Clean® is a registered trademark of The Proctor and Gamble Company.
Dow® is a registered trademark of The Dow Chemical Company.

**AS AMERICA, INC. LIMITED LIFETIME WARRANTY FOR
ELJER PREMIERE SERIES ACRYLIC TUBS, WHIRLPOOLS AND AIR BATHS**

AS America, Inc. ("American Standard") warrants to the original consumer purchaser that it will, at its option, repair or replace this acrylic tub, whirlpool or air bath, or any of its parts that are found by American Standard, in its sole judgment, to be defective under normal residential use and maintenance so long as it is owned by the original consumer purchaser.

THIS WARRANTY SHALL BE VOID IF THE ACCESS PANEL TO THE WHIRLPOOL IS COVERED IN ANY MANNER CONTRARY TO THE INSTALLATION INSTRUCTIONS. In no event will American Standard be liable for the cost of repair or replacement of any installation materials including but not limited to tiles, marble etc.

This limited lifetime warranty DOES NOT COVER the following:

1. Defects or damages arising from shipping, installation, alterations, accidents, abuse, misuse, lack of proper maintenance and cleaning as directed in the owner's manual and use of other than genuine American Standard replacement parts, in all cases whether caused by a plumbing contractor, service company, the owner or any other person.
2. Deterioration through normal wear and tear and the expense of normal maintenance.
3. Commercial application. THE PRODUCTS ARE NOT INTENDED FOR COMMERCIAL USE.
4. Options and accessories. American Standard's limited lifetime warranty on product modifications or customizations, including factory installed accessories, is lifetime for parts and shell and five (5) years on labor. This lifetime limited warranty covers accessories manufactured by American Standard that are included and installed at the time of sale (e.g. aprons, drains, grab bars, trim kits) against manufacturing defects of material or workmanship. Warranty coverage begins on the date the accessory was originally purchased by the owner.
5. American Standard's limited warranty on the heater is two (2) years and five (5) years on labor. For optional after market accessories, refer to the manufacturers warranty included with those accessories. Warranty coverage begins on the date of original purchase by the owner.
6. Postage or shipping costs for returning products for repairs or replacement under this limited lifetime warranty and labor or other costs incurred in connection with product removal or installation are not covered under this limited warranty.
7. ANY LIABILITY FOR CONSEQUENTIAL OR INCIDENTAL DAMAGES, ALL OF WHICH ARE HEREBY EXPRESSLY DISCLAIMED, OR THE EXTENSION BEYOND THE DURATION OF THIS LIMITED WARRANTY OF ANY IMPLIED WARRANTIES, INCLUDING THOSE OF MERCHANTABILITY OR FITNESS FOR AN INTENDED PURPOSE. (Some jurisdictions do not allow limitations on how long an implied warranty lasts, or the exclusion or limitation of incidental or consequential damages, so these limitations and exclusions may not apply to you.)
8. Responsibility for compliance with local code requirements. (Since local code requirements vary greatly distributors, retailers, dealers, installation contractors and users of plumbing products should determine whether there are any code restrictions on the installation or use of a specific product.)

This limited lifetime warranty gives you specific legal rights. You may have other statutory rights that vary from state to state or province to province, in which case this limited warranty does not affect such statutory rights.

For service under this warranty, call or write (and include a description of the product model and of the defect) to the applicable customer service location:

In the United States:

AS America, Inc.
30 Knightsbridge Rd., Suite 301
Piscataway, NJ 08854
Attention: Director of Customer Care
For residents of the United States, warranty information may also be obtained by calling the following toll free number: (855) 815-0004
www.eljer.com

In Canada:

LIXIL Canada, Inc.
5900 Avebury Rd.
Mississauga, Ontario
Canada L5R 3M3
Toll Free: (855) 836-9615
www.eljer.com

In Mexico:

American Standard B&K Mexico
S. de R.L. de C.V.
Via Morelos #330
Col. Santa Clara
Ecatepec 55540 Edo. Mexico
Toll Free: 01-800-839-1200
www.eljer.com