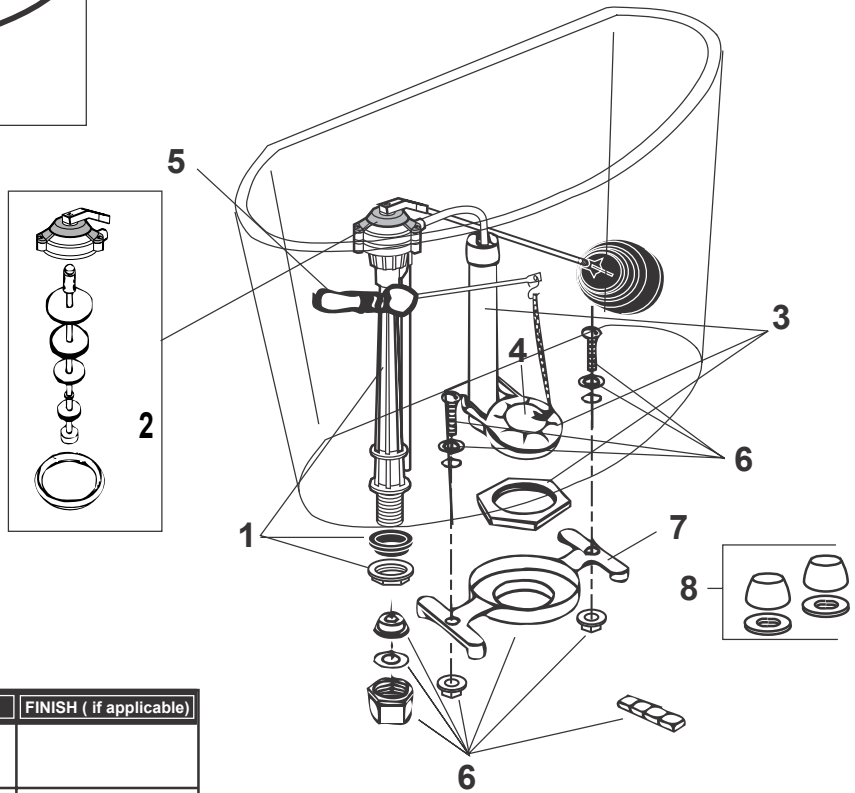
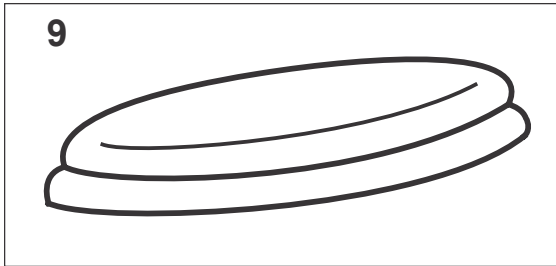




**SERIES III CENTURY and  
CENTURY 17"**  
1.6 GPF Two-Piece Toilets



	DESCRIPTION	PART#	FINISH ( if applicable)
1	Float valve (ballcock) less rod and float ball	495-0212-01	
2	Float valve repair kit for 1B1 MASTER MARK III	495-0185-00	
3	Flush valve assembly w/ flapper & chain	495-5545-02	
4	Flapper and chain only	495-6058-00	
5	Flush lever	495-2712-00 495-2712-01 495-2712-02 495-2712-05	Chrome Polished Gold Polished Brass Brushed Chrome
6	Mounting parts bag	495-5984-00	
7	Tank to bowl gasket	495-5702-00	
8**	Bolt caps	495-0908-__	
9**	Tank lid	151-8000-__	

\*\* PLEASE SPECIFY COLOR BY ADDING THE APPROPRIATE COLOR CODE NUMBER TO THE END OF THE PART NUMBER.

- 00 ..... White
- 43 ..... Platinum
- 47 ..... Onyx
- 50 ..... Peach Bisque
- 57 ..... Dusty Rose
- 67 ..... Ruby
- 79 ..... Glacier Blue
- 82 ..... Natural
- 89 ..... Zinfandel
- 91 ..... Verde
- 96 ..... Biscuit