

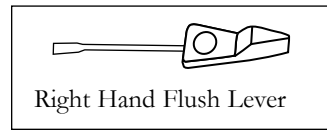
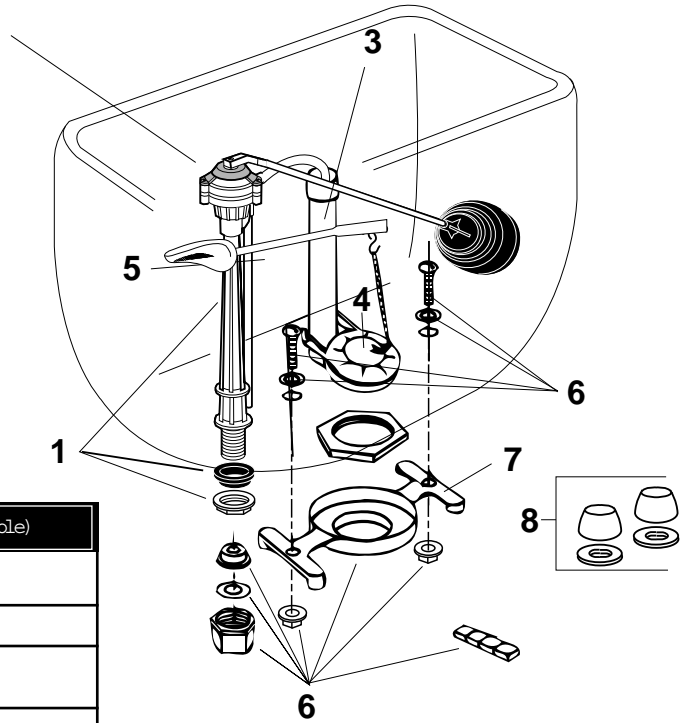
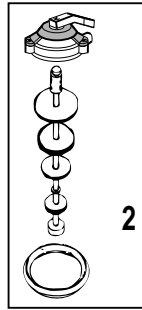
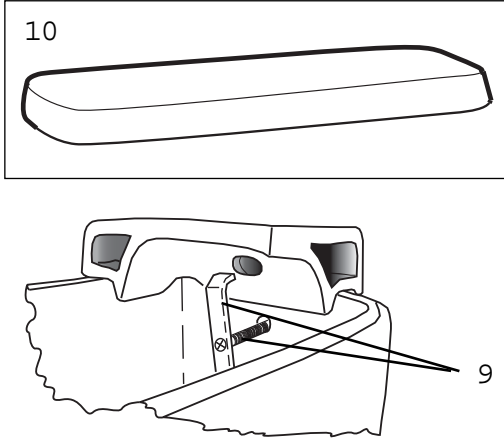
SERIES III PATRIOT, PATRIOT ^{Space-Saver} and PATRIOT 17" (10", 12" & 14" ROUGH-IN MODELS) 1.6 GPF/6 LPF Two-Piece Toilets



- 091-2120N
- 091-2122
- 091-2125
- 091-2127
- 091-2130
- 091-2135
- 091-2136
- 091-2150
- 091-2155
- 091-2190
- 091-2195
- 091-2225



- 091-2165
- 091-2175
- 091-2176
- 091-2178
- 091-2179
- 091-2180
- 091-2183
- 091-2185



	DESCRIPTION	PART #	FINISH (if applicable)
1	Ballcock/Float Valve less rod and float ball	495-3830-01	
2	Float valve repair kit	495-0185-00	
3	Flush valve assembly with flapper and chain	495-5572-00	
4	Flapper and chain only	495-6072-00	
5	Flush lever	495-2120-00 495-2120-82 495-2120-96 495-2121-00 495-2121-04 495-2742-00	White (standard on White tanks) Natural/Bone (Standard on Natural tanks) Biscuit (Standard on Biscuit tanks) Polished Chrome Polished Brass Chrome, for Right-Hand Acuator Tank
6	Mounting Hardware (bagged)	495-5984-00	
7	Tank to bowl gasket	495-5702-00	
8**	Bolt caps (pair)	495-0908-__	
9	Complete locking device For 141-2121, 141-2128, and 141-2131 Tanks Only	495-6045-00	Note: For locking tanks. Includes bolts (2) and locking device brackets (2)
10**	Tank lid only	151-0100-__ 151-0103-__ 151-1130-__ 151-1131-__ 151-1150-__ 151-1190-__	12" rough tank lid Locking tank lid Insulated tank lid Insulated locking tank lid 10" rough tank lid 14" rough tank lid

* Please specify color by adding the appropriate color code number to the end of the part number:

- 00 White
- 43 Platinum (S)
- 47 Onyx (P)
- 50 Peach Bisque (S)
- 57 Dusty Rose (S)
- 67 Ruby (P)
- 79 Glacier Blue (S)
- 82 Natural/Bone (S)
- 89 Zinfandel (S)
- 91 Verde (P)
- 96 Biscuit (S)

(S) = Standard Color
(P) = Premium Color