



# LANSING™

## DECK-MOUNT BATH FILLER

MODEL NUMBER

**9088.900**

Replace the "YYY" with appropriate finish code

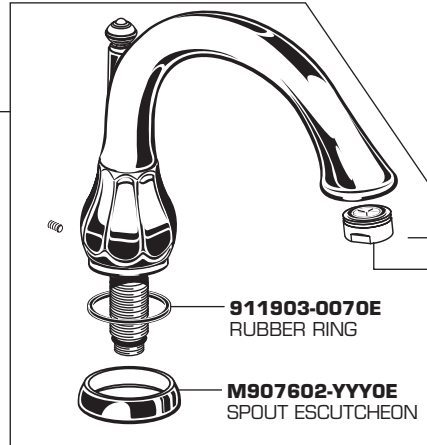
CHROME	002
SATIN NICKEL (PVD)	295

**M962375-YYYOE**  
HANDLE (RIGHT)

**M962376-YYYOE**  
HANDLE (LEFT)



**M962379-YYYOE**  
SPOUT KIT

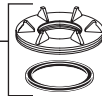


**922388-YYYOE**  
STREAM STRAIGHTENER

**911903-0070E**  
RUBBER RING

**M907602-YYYOE**  
SPOUT ESCUTCHEON

**M962248-0070E**  
DECK ADAPTER KIT



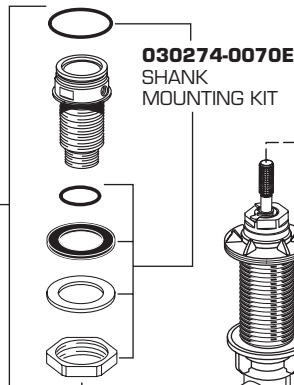
**918049-0070E**  
STEM ADAPTER

**918555-0070E**  
HANDLE SCREW

**994053-0070E**  
VALVE

**M906617-0070E**  
VALVE MTG. NUT

**012668-0070E**  
SHANK KIT

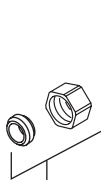


**030274-0070E**  
SHANK MOUNTING KIT

**028679-0070E**  
TUBE & TEE ASSEMBLY

**028698-0070E**  
COUPLING

**012078-0070E**  
VALVE COUPLING KIT



**HOT LINE FOR HELP**

For toll-free information and answers to your questions, call:  
1-800 442-1902  
Weekdays 8:00 a.m. to 6:00 p.m. EST