



# Elite Tub

## PREMIERE SERIES

## HIGH GLOSS ACRYLIC



Elite Acrylic Tub (015-6400). Bath waste not included.

**Note:** Eljer assumes no responsibility or liability for local or state regulations which deviate from national standards. It shall be the responsibility of the installer to comply with local codes and standards prior to installation of any Eljer product.

- 72" (1829mm) Length, 42" (1067mm) Width, 20" (508mm) Height - Cubes 40.83
- Rectangular Unit with Oval Contoured Bathing Well
- Gently Sculpted Armrests
- Air Massage Model Features Automatic Air Channel Purge and Dry Cycle and Electronic Control Pad
- Pre-Leveled Base
- Textured Bottom for Slip-Resistance
- Factory Installed Options Available
- Limited Lifetime Warranty

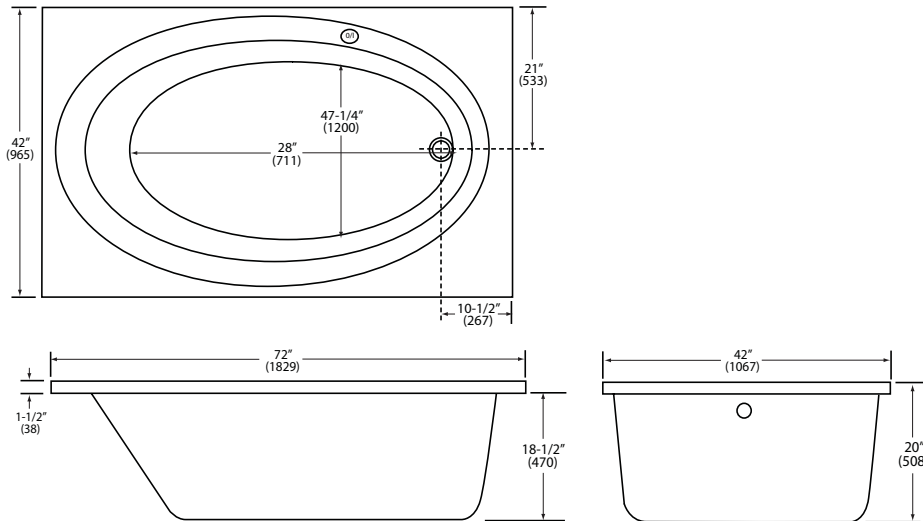
- 015-6400 High Gloss Acrylic Bath, Less Bath Waste, 101 lbs.
- 015-6401 High Gloss Acrylic Bath with Air Massage System, Less Bath Waste, 117 lbs.

**Options:**

- 415-0016 6' Acrylic Apron/Skirt, Color-Matched - *Specify Color*
- 415-0066 6' Acrylic Apron/Skirt, Color-Matched, with Access Panel - *Specify Color*
- 494-0060 Flexible, Attachable Tile Flange

**Factory Installed Options:**

- 494-8100-00 Mood Light - Cycles through Seven Colors
- 494-8500-00 Chromotherapy Light Kit (2 LED Lights)
- 494-8505-00 Remote for Chromotherapy Light Kit



**Water Capacity to Overflow: 50 gal.**

FAUCETS ARE NOT INCLUDED. ALL FIXTURE DIMENSIONS ARE NOMINAL AND MAY VARY WITHIN THE RANGE OF TOLERANCES ESTABLISHED BY ASME/ANSI STANDARDS, Z124.1. ALL MEASUREMENTS SHOWN ARE SUBJECT TO CHANGE OR CANCELLATION.