



# Preston Tub

## PREMIERE SERIES

## HIGH GLOSS ACRYLIC



Preston Acrylic Tub (015-3700). Bath waste not included.

- 69" (1753mm) Length, 38" (965mm) Width, 23" (584mm) Height - Cubes 33.38
- Oval Unit Constructed of Durable Acrylic
- Air Massage Model Features Automatic Air Channel Purge and Dry Cycle and Electronic Control Pad
- Pre-Leveled Base
- Textured Bottom for Slip-Resistance
- Factory Installed Options Available
- Limited Lifetime Warranty

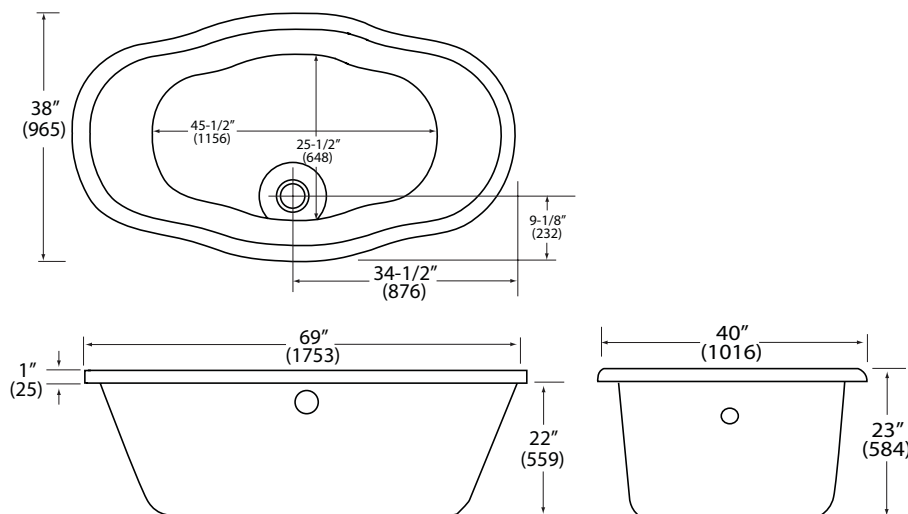
015-3700 High Gloss Acrylic Bath, Less Bath Waste, 112 lbs.

015-3701 High Gloss Acrylic Bath with Air Massage System, Less Bath Waste, 125 lbs.

**Factory Installed Options:**

- 494-8100-00 Mood Light - Cycles through Seven Colors
- 494-8500-00 Chromotherapy Light Kit (2 LED Lights)
- 494-8505-00 Remote for Chromotherapy Light Kit

**Note:** Eljer assumes no responsibility or liability for local or state regulations which deviate from national standards. It shall be the responsibility of the installer to comply with local codes and standards prior to installation of any Eljer product.



**Water Capacity to Overflow: 55 gal.**

FAUCETS ARE NOT INCLUDED. ALL FIXTURE DIMENSIONS ARE NOMINAL AND MAY VARY WITHIN THE RANGE OF TOLERANCES ESTABLISHED BY ASME/ANSI STANDARDS, Z124.1. ALL MEASUREMENTS SHOWN ARE SUBJECT TO CHANGE OR CANCELLATION.