



Venice Tub

PREMIERE SERIES

HIGH GLOSS ACRYLIC



- 72" (1829mm) Length, 42" (1067mm) Width, 23" (584mm) Height - Cubes 41.80
- Sculpted Rectangular Unit Constructed of Durable Acrylic
- Air Massage Model Features Automatic Air Channel Purge and Dry Cycle and Electronic Control Pad
- Pre-Leveled Base
- Textured Bottom for Slip-Resistance
- Factory Installed Options Available
- Limited Lifetime Warranty

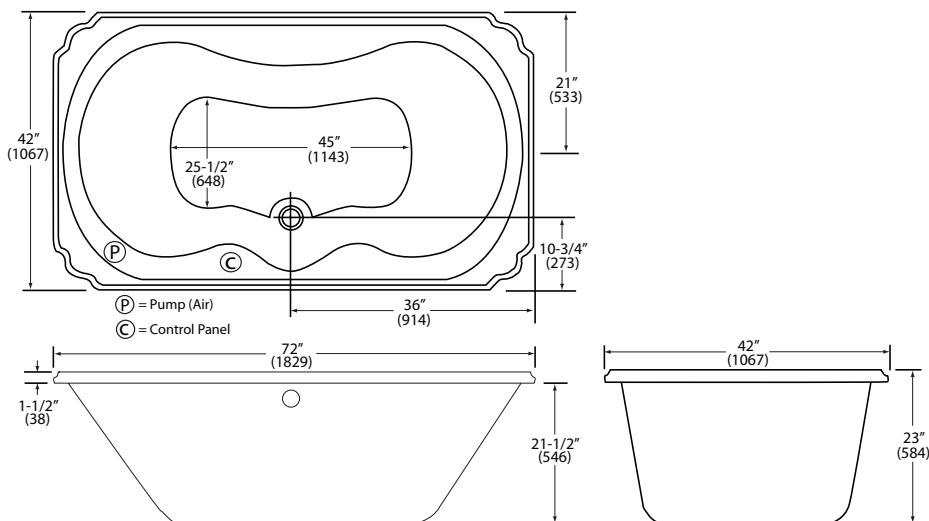
- 015-2500 High Gloss Acrylic Bath, Less Bath Waste, 103 lbs.
- 015-2501 High Gloss Acrylic Bath with Air Massage System, Less Bath Waste, 119 lbs.

Factory Installed Options:

- 494-8100-00 Mood Light - Cycles through Seven Colors
- 494-8500-00 Chromotherapy Light Kit (2 LED Lights)
- 494-8505-00 Remote for Chromotherapy Light Kit

Venice Acrylic Tub (015-2500). Bath waste not included.

Note: Eljer assumes no responsibility or liability for local or state regulations which deviate from national standards. It shall be the responsibility of the installer to comply with local codes and standards prior to installation of any Eljer product.



Water Capacity to Overflow: 80 gal.

FAUCETS ARE NOT INCLUDED. ALL FIXTURE DIMENSIONS ARE NOMINAL AND MAY VARY WITHIN THE RANGE OF TOLERANCES ESTABLISHED BY ASME/ANSI STANDARDS, Z124.1. ALL MEASUREMENTS SHOWN ARE SUBJECT TO CHANGE OR CANCELLATION.