



Murray Oval Lavatory

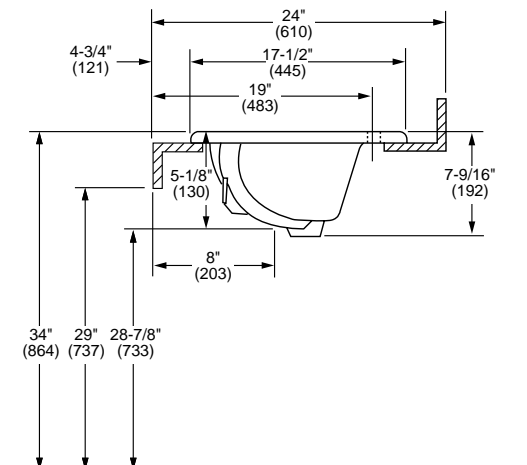
VITREOUS CHINA



Murray Oval Lavatory (051-0124). Faucet shown not included.

NOTE: Eljer assumes no responsibility or liability for local or state regulations which deviate from national standards. It shall be the responsibility of the installer to comply with local codes and standards prior to installation of any Eljer product.

Dimensions for location of supply are suggested.



CSA Certified

Eljer products are designed to comply with ADA and CABO/ANSI A117.1 standards, when installed in accordance with these standards. Eljer assumes no responsibility or liability for local or state regulations which deviate from national standards. It shall be the responsibility of the installer to comply with local codes and standards prior to installation of any Eljer product.

- 20" (508 mm) x 17" (432 mm) - 18 lbs., Cubes 1.93
- Faucet Holes For Single, 4" or 8" Centers
- Front Overflow
- Meets Requirements for ADA and ANSI 117.1 When Installed Per Code
- Self-Rimming Conventional Installation
- Oval Basin
- Twin Soap Depressions
- Available in White, Platinum, Natural/Bone, Zinfandel, and Biscuit

- 051-0121 Vitreous China, Self-Rimming Oval Lavatory with Center Faucet Hole
- 051-0124 Vitreous China, Self-Rimming Oval Lavatory with Faucet Holes on 4" Centers
- 051-0128 Vitreous China, Self-Rimming Oval Lavatory with Faucet Holes on 8" Centers

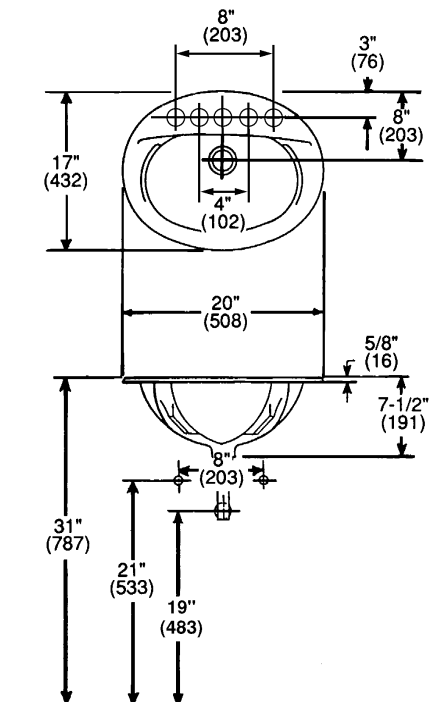
MODIFIED LAVATORIES:

(Extended Lead Time Product - Prior Approval Required)

- 051-0138 Same as 051-0128, Except Selaed Overflow

Inside Basin Dimensions:

15" (381mm) x 10-3/4" (273mm)



FAUCETS ARE NOT INCLUDED. ALL FIXTURE DIMENSIONS ARE NOMINAL AND MAY VARY WITHIN THE RANGE OF TOLERANCES ESTABLISHED BY ASME/ANSI STANDARDS, A112.19.2M. ALL MEASUREMENTS SHOWN ARE SUBJECT TO CHANGE OR CANCELLATION.