



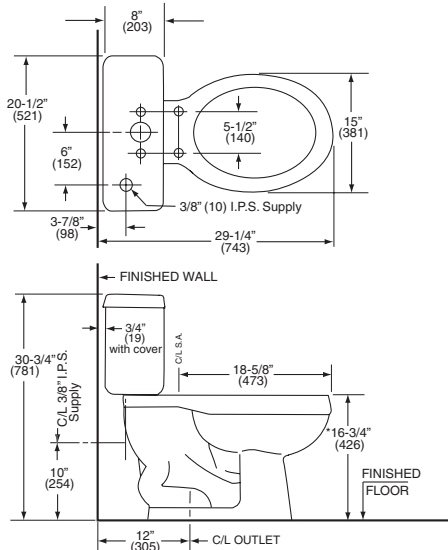
Patriot 17" Toilets

VITREOUS CHINA



Patriot 17" Convenient Height™ Elongated-Rim Toilet (091-2175)

Note: Dimensions May Vary +/- 1/2" and are Subject to Change or Cancellation
Eljer assumes no responsibility or liability for local or state regulations which deviate from national standards. It shall be the responsibility of the installer to comply with local codes and standards prior to installation of any Eljer product.
Dimensions for Location of Supply are Suggested



*Note: China height ONLY, (Less Seat)

Water Surface:	8-1/4" x 9-3/8" (210mm x 238mm)
Trap Size:	2" (51mm)
Trap Seal:	2-1/2" (64mm)

Eljer products are designed to comply with ADA and CABO/ANSI A117.1 standards, when installed in accordance with these standards.

CSA Certified

- 1.6 Gallons (6 Liters) of Water Per Flush
- Meets Requirements for Both ADA and ANSI 117.1 When Installed Per Code
- Elongated-Rim, 16-3/4" High Bowl
- Close-Coupled, Two-Piece Toilet
- Siphon Vortex Bowl with Shelf-Top Tank
- Fully Glazed 2" Trapway
- 12" Rough-In

- ☐ 091-2175 Vitreous China, Two-Piece, Elongated-Rim Convenient Height™ Toilet, Includes (131-2175) Bowl and (141-2120N) Tank - 83 lbs., Cubes 4.89
- ☐ 091-2176 Vitreous China, Two-Piece, Elongated-Rim Convenient Height™ Toilet, Complete with Locking Tank Cover Includes (131-2175) Bowl and (141-2121) Locking Tank - 83 lbs., Cubes 4.89
- ☐ 091-2178 Vitreous China, Two-Piece, Elongated-Rim Convenient Height™ Toilet, Complete with Insulated Tank, Includes (131-2175) Bowl and (141-2130) Insulated Tank - 83 lbs., Cubes 4.89
- ☐ 091-2179 Vitreous China, Two-Piece, Elongated-Rim Convenient Height™ Toilet, Complete with Insulated Tank and Locking Tank Cover, Includes (131-2175) Bowl and (141-2131) Insulated Locking Tank - 83 lbs., Cubes 4.89

Component Parts:

- 131-2175 Elongated Convenient Height™ Bowl - 54 lbs., Cubes 3.35
- 141-2120N Tank - 36 lbs., Cubes 1.54
- 141-2121 Tank w/ Locking Device - 36 lbs., Cubes 1.54
- 141-2130 Insulated Tank - 36 lbs., Cubes 1.54
- 141-2131 Insulated Tank with Locking Device - 36 lbs., Cubes 1.54
- 151-0100 Tank Lid Only - 10 lbs.
- 151-0103 Tank Lid Only for Locking Tanks - 14 lbs.
- 151-1130 Tank Lid Only For Insulated Tank - 10 lbs.

Optional Tanks:

- ☐ 141-2125 Tank with Right-Hand Flush Actuator (Complete with tank lid) - 36 lbs., Cubes 1.54
- ☐ 141-2128 Tank with Right-Hand Flush Actuator and Locking Cover (Complete with tank lid) 36 lbs., Cubes 1.54

Flush Actuators:

- ☐ 495-2120-00 White (Standard on White Tanks)
- ☐ 495-2120-82 Natural (Standard on Natural/Bone Tanks)
- ☐ 495-2120-96 Biscuit (Standard on Biscuit Tanks)
- ☐ 495-2121-00 Polished Chrome (Furnished with Colors Other Than White, Natural/Bone, and Biscuit)
- ☐ 495-2121-04 Polished Brass (Optional)
- ☐ 495-2121-25 Brushed Nickel (Optional)
- ☐ 495-2121-35 Oil-Rubbed Bronze (Optional)

Recommended Toilet Seat:

- ☐ 124-0245 Premium Solid Plastic Seat and Cover - Elongated

ALL FIXTURE DIMENSIONS ARE NOMINAL AND MAY VARY WITHIN THE RANGE OF TOLERANCES ESTABLISHED BY ASME/ANSI STANDARDS, A112.19.2M. ALL MEASUREMENTS SHOWN ARE SUBJECT TO CHANGE OR CANCELLATION. DIMENSIONS IN PARENTHESES ARE IN MILLIMETERS 25.4 mm = 1 INCH.