



TITAN One-Piece™ 17" Toilet In-A-Box

VITREOUS CHINA



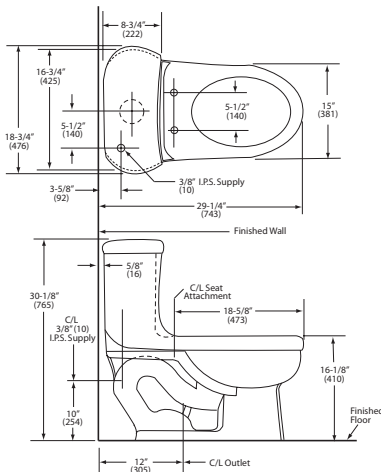
TITAN One Piece™ 17" Toilet In-A-Box includes TITAN One-Piece™ 17" Toilet, Wax Ring, Floor Bolts, Slow-Close Toilet Seat, and Installation Instructions.

Note: Dimensions May Vary +/- 1/2" and are Subject to Change or Cancellation

Eljer assumes no responsibility or liability for local or state regulations which deviate from national standards. It shall be the responsibility of the installer to comply with local codes and standards prior to installation of any Eljer product.

Dimensions for Location of Supply are Suggested

Water Surface	9" x 11" (229mm x 279mm)
Trap Size	2-1/8" (54mm)
Trap Seal	2-1/2" (64mm)



Eljer products are designed to comply with ADA and CABO/ANSI A117.1 standards, when installed in accordance with these standards. Eljer assumes no responsibility or liability for local or state regulations which deviate from national standards. It shall be the responsibility of the installer to comply with local codes and standards prior to installation of any Eljer product.

CSA Certified

- 1.6 Gallon (6 Liter) One-Piece Toilet
- Toilet, Seat, and All Installation Components in One Box
- Elongated-Rim, 16 1/8" High Bowl
- Includes Toilet Seat with Slow-Close Feature
- Meets Requirements for Both ADA and ANSI 117.1 when Installed per Code
- Siphon Jet Pro-One™ Flushing System
- Category 7™ Three Inch Flush Valve
- Side-Mounted Flush Actuator
- Extended Coverage Area Footprint for Easier Remodeling
- Quick and Easy Installation
- 12" Rough-In
- Available in White, Natural/Bone, and Biscuit

081-0777-001BW Vitreous China, One-Piece, Elongated-Rim, Convenient Height™ Toilet Includes Color-Matched Seat with Slow-Close Cover and Installation Hardware - White 106 lbs., Cubes 8.22

081-0777-821BW Vitreous China, One-Piece, Elongated-Rim, Convenient Height™ Toilet Includes Color-Matched Seat with Slow-Close Cover and Installation Hardware - Natural/Bone 106 lbs., Cubes 8.22

081-0777-961BW Vitreous China, One-Piece, Elongated-Rim, Convenient Height™ Toilet Includes Color-Matched Seat with Slow-Close Cover and Installation Hardware - Biscuit 106 lbs., Cubes 8.22

Components Included in the Box:

- TITAN One-Piece™ 17" Toilet
- Elongated-Rim Slow-Close Seat and Cover
- Wax Ring Gasket
- Floor Flange Bolts
- Installation Instructions



ALL FIXTURE DIMENSIONS ARE NOMINAL AND MAY VARY WITHIN THE RANGE OF TOLERANCES ESTABLISHED BY ASME/ANSI STANDARDS, A112.19.2-2003. ALL MEASUREMENTS SHOWN ARE SUBJECT TO CHANGE OR CANCELLATION. DIMENSIONS IN PARENTHESES ARE IN MILLIMETERS 25.4 mm = 1 INCH.