



HARTSHORNE™

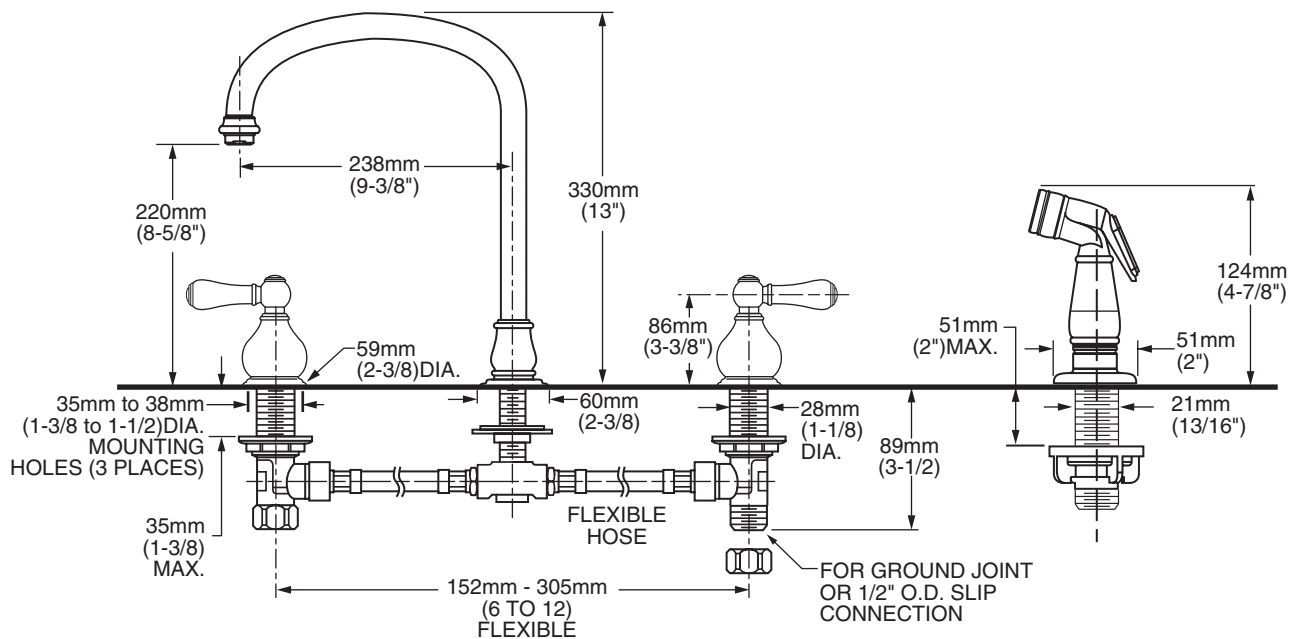
TWO-HANDLE BOTTOM-MOUNT KITCHEN FAUCET WITH BRASS GOOSENECK SPOUT



9055.020.002 Shown

MODEL NUMBER:

- 
9055.050.002 Bottom-Mount Kitchen Faucet
 Color-matched Handspray. Chrome Finish.
- 
9055.050.075 Bottom-Mount Kitchen Faucet
 Color-matched Handspray. Stainless Steel Finish.



GENERAL DESCRIPTION:

Durable brass construction. 1/4 turn washerless ceramic disc valve cartridges - reversible for use with either lever or cross handles. Brass 22mm (7/8") diameter swivel spout. One-half inch male inlet shanks with brass coupling nuts. 2.2 gpm/8.3 L/min. maximum flow rate. Color-matched hand spray. Cap provided for less spray applications.

PRODUCT FEATURES:

Ceramic Disc Valve Cartridges: Assures a lifetime of drip-free performance.

Brass Construction and Cast Brass Waterway: Durable - Excellent in high use applications. Ideal for prolonged contact with water.

Larger Spout: Increased spout height, reach and diameter.

Low Lead: Meets NSF Standard 61/Section 9 & Prop 65 lead requirements.

Choice of Finishes: Choice of Polished Chrome or Stainless Steel (PVD).

SUGGESTED SPECIFICATION:

Two handle bottom-mount kitchen faucet shall feature brass construction with all brass inlet shanks and coupling nuts. Brass swivel spout. Shall also feature 1/4 turn washerless ceramic disc valve cartridges that are reversible for use with cross or lever handles. Fitting shall be Eljer Model # 9055.050.____.



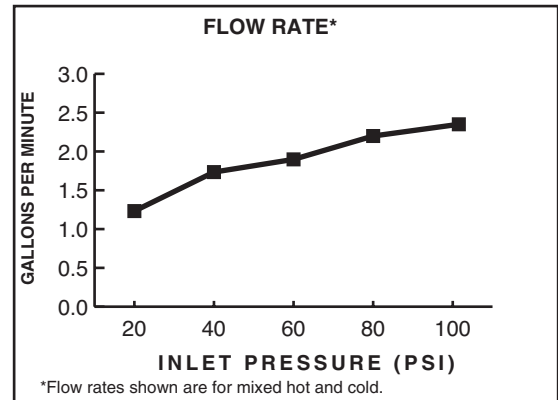
HARTSHORNE™

TWO-HANDLE BOTTOM-MOUNT KITCHEN FAUCET WITH BRASS GOOSENECK SPOUT

CODES AND STANDARDS

These products meet or exceed the following codes and standards:

- ASME A112.18.1
- CSA B 125
- NSF 61/Section 9



Product Number	Description	Finish Options	
		Polished Chrome	Stainless Steel (PVD)
9055.050	Kitchen faucet. Color-matched Handspray. Metal lever handles.	002	075



Meets the American Disabilities Act Guidelines and **ANSI A117.1** Requirements for the physically challenged.