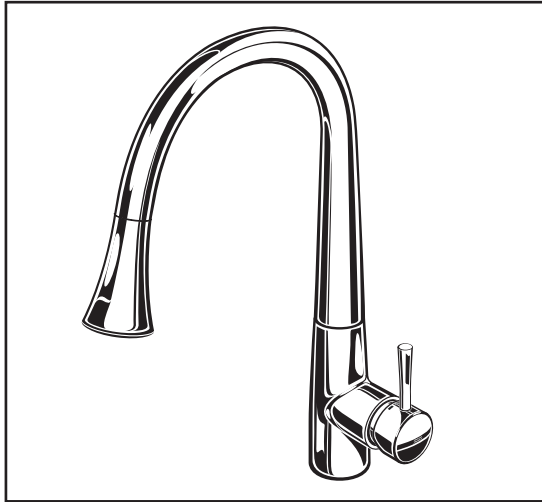


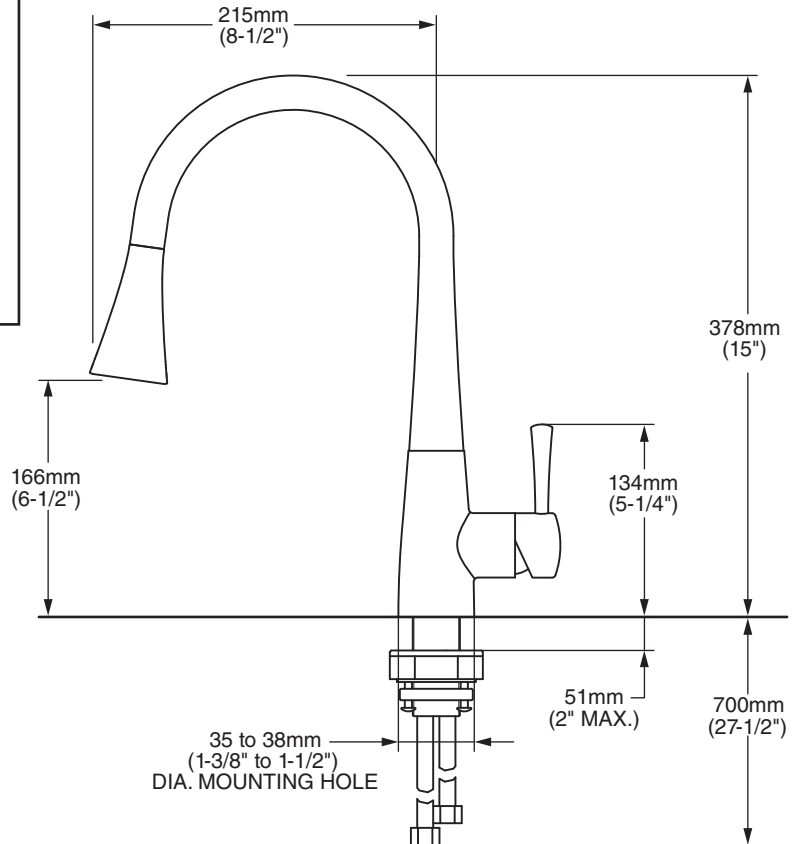


# EXTENDER™ SINGLE CONTROL KITCHEN FAUCET WITH HI-FLOW SPOUT



## MODEL NUMBER:

- 9335.020.075 Kitchen Extender Faucet With Hi-Flow Spout



## GENERAL DESCRIPTION:

Forged brass body and brass swivel spout with metal lever handle. Swivel spray with adjustable spray pattern automatically extends when water is turned on and auto retracts when water is turned off. Washerless 35mm ceramic disc valve cartridge. Brass mounting shank with brass fixation ring. Braided flexible supply hoses with 3/8" compression connectors. 2.2 gpm/8.3L/min. maximum flow rate.

## PRODUCT FEATURES:

**Ceramic Disc Valve Cartridge:** Assures smooth, precise valve control and a lifetime of drip-free, maintenance free performance.

**Brass Construction:** Highest quality faucet materials for durability & long life.

**Automatic Swivel Spray:** Extends when water is turned on, retracts when water is turned off. Adjusts from stream to spray.

**Memory Position Valving:** Allows user to turn valve on and off at preferred temperature setting without readjusting handle position each time.

**Lead Free:** Faucet contains  $\leq 0.25\%$  total lead content by weighted average.

## SUGGESTED SPECIFICATION:

Single control kitchen faucet shall feature a forged brass body and brass swivel spout. Features an automatic swivel spray that extends when water is turned on and retracts when water is turned off. Shall also feature washerless ceramic disc valve cartridge. Fitting shall be American Standard Model # 4335.020.075 .

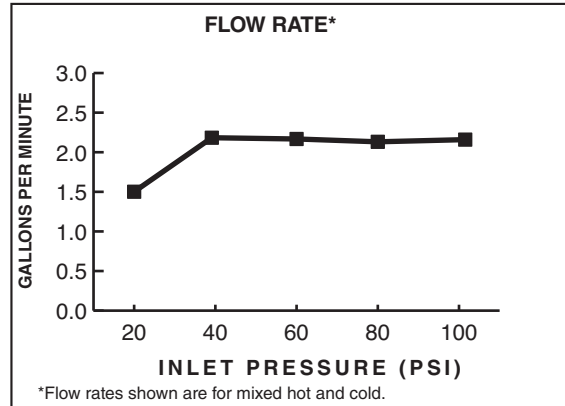


**EXTENDER™**  
**SINGLE CONTROL KITCHEN FAUCET**  
 WITH HI-FLOW SPOUT

**CODES AND STANDARDS**

These products meet or exceed the following codes and standards:

- ANSI A117.1**
- ASME A112.18.1**
- NSF 61/Section 9 & Annex G**
- CSA B125**



Product Number	Description	Finish Options
		PVD Stainless Steel
9335.020.075	Kitchen Extender Faucet with Hi-Flow spout.	075

Meets the American Disabilities Act Guidelines and **ANSI A117.1** Requirements for the physically challenged.