



Gibraltar Tub



Gibraltar Tub 018-5000 left outlet.
(Bath waste pictured is not included.)

Why **enduroCAST**™ ?

- ❖ enduroCAST is reinforced substrate made of the same material as crash helmets
- ❖ enduroCAST reinforcement provides superior heat retention
- ❖ enduroCAST bathing well is larger, more roomy, more "stretch-out" space
- ❖ enduroCAST has dual stabilizer bars so tub remains stable during and after installation

Technical specifications:

Tile flange of 1-3/16" height. Steel is 16 gauge cold rolled titanium stabilized enameling grade steel and at more than 0.065 thickness prior to forming.

Meets or Exceeds the Following Specifications:

ASME A112.19.4M

ASTM E-162 Flame Spread Test

ASTM E662 Smoke Generation Test

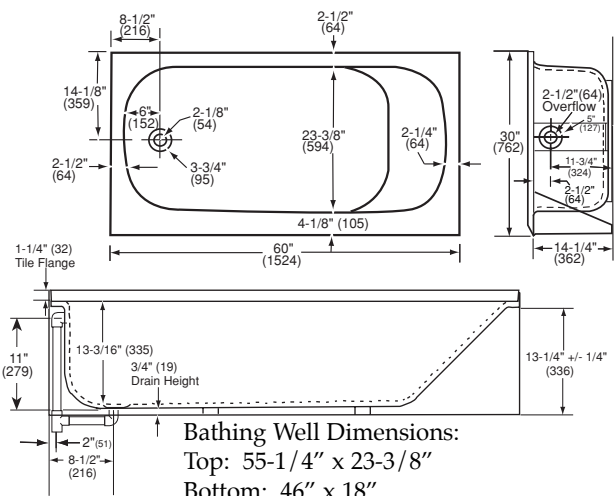
Product Specification:

The tub shall be 60" in length, 30" in width, and 14-1/4" in height for recessed installation, with slip-resistant bathing surface and tiling flange. Tub shall be made of acid-resistant Porcelain Enamelled Formed Steel with polymer composite backing. Tub shall have non-recessed overflow hole, and bottom underside leveling legs. Tub shall be Eljer model 018-5000-__ (left outlet) or 018-5025-__ (right outlet).

Eljer products are designed to comply with ADA Standards for Accessible Design and ANSI A117.1 standards when installed in accordance with these standards. Eljer assumes no responsibility or liability for local or state regulations which deviate from national standards. It shall be the responsibility of the installer to comply with local codes and standards prior to installation of any Eljer product.

- 60" (1524mm) Length, 30" (762mm) Width, 14-1/4" (362mm) Height
- Porcelain Enamelled Steel with enduroCAST™ Backing
- Perma-Mat Slip-Resistant Bottom
- Lightweight for Ease of Installation and Transportation
- Outstanding Reverse Impact Resistance and Excellent Face Impact Resistance
- 40 Degree Lumbar Support for Comfortable Bathing
- Taller Tiling Flange for Leak-Proof Installation
- Two Leveling Legs for Stable Installation and Superior Performance in the ANSI Deflection Tests
- Surface Surrounding Overflow Hole is Flat for Leak-Free Waste Installation
- Available in Eljer White, Natural/Bone, and Biscuit
- Capacity 39 Gallons
- Weight - Empty 89 lbs., with Water to Capacity 414 lbs., Cubes 18.52

- 018-5000 Left Outlet Recess Tub with Slip-Resistant Bottom, Less Bath Waste
- 018-5025 Right Outlet Recess Tub with Slip-Resistant Bottom, Less Bath Waste
- 018-5001 Left Outlet Recess Tub with **Plain Bottom for Canada Only**, Less Bath Waste
- 018-5026 Right Outlet Recess Tub with **Plain Bottom for Canada Only**, Less Bath Waste
- 018-5010 Left Outlet Recess Tub with Slip-Resistant Bottom, Less Overflow, Less Bath Waste
- 018-5035 Right Outlet Recess Tub with Slip-Resistant Bottom, Less Overflow, Less Bath Waste



FAUCETS ARE NOT INCLUDED. ALL FIXTURE DIMENSIONS ARE NOMINAL AND MAY VARY WITHIN THE RANGE OF TOLERANCES ESTABLISHED BY ASME/ANSI STANDARDS, A112.19.4M. ALL MEASUREMENTS SHOWN ARE SUBJECT TO CHANGE OR CANCELLATION.

CSA Certified