

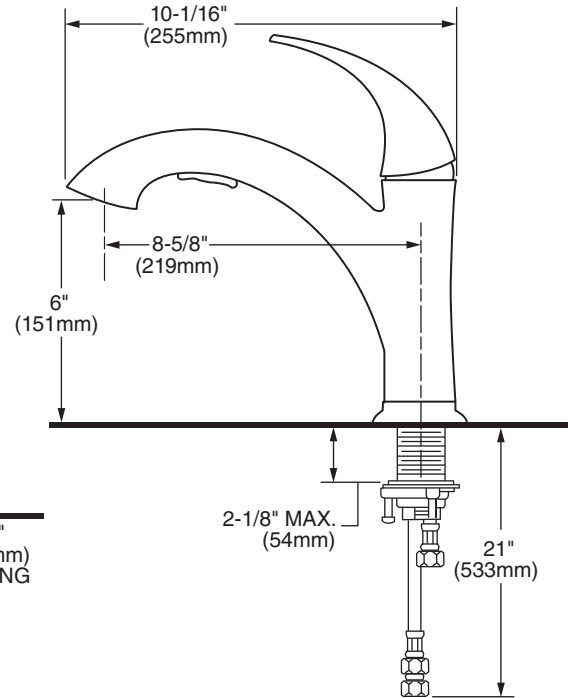
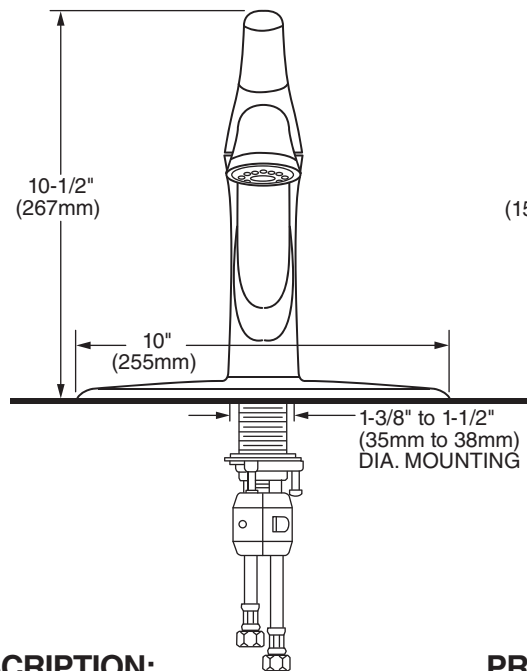


# PARKHURST™ SINGLE CONTROL KITCHEN FAUCET



## MODEL NUMBER:

- 9048.100.002 Kitchen Faucet with Pull-Out Spray  
Polished Chrome finish.
- 9048.100.075 Kitchen Faucet with Pull-Out Spray  
Stainless Steel (PVD) finish.



## GENERAL DESCRIPTION:

Brass body with brass swivel spout. Pull-out spray spout with adjustable spray pattern and toggle button activation. Nylon reinforced hose is 48" (1250mm) long. Washerless 40mm ceramic disc valve cartridge. Braided flexible supply hoses with 3/8" compression connections. 1.8 gpm/6.8L/min. maximum flow rate.

## PRODUCT FEATURES:

**Ceramic Disc Valve Cartridge:** Assures smooth, precise valve control and a lifetime of drip-free, maintenance-free performance.

**Memory Position Valving:** Allows user to turn valve on and off at preferred temperature setting without readjusting handle position each time.

**Lead Free:** Faucet contains  $\leq 0.25\%$  total lead content by weighted average.

**Pull-out Spray:** With toggle button activation. Adjustable spray patterns - stream to spray.

**Integral Check Valves:** Prevents back flow.

**Choice of Finishes:** Available in Polished Chrome or Stainless Steel (PVD).

**Lifetime Warranty:** On Function and Finish.

## SUGGESTED SPECIFICATION:

Single control kitchen faucet shall feature a brass swivel spout, metal lever handle and a pull-out spray with toggle button activation. Shall also feature washerless ceramic disc valve cartridge, flexible supply hoses and two integral check valves. Fitting shall be Eljer Model # 9048.100.\_\_\_\_\_.

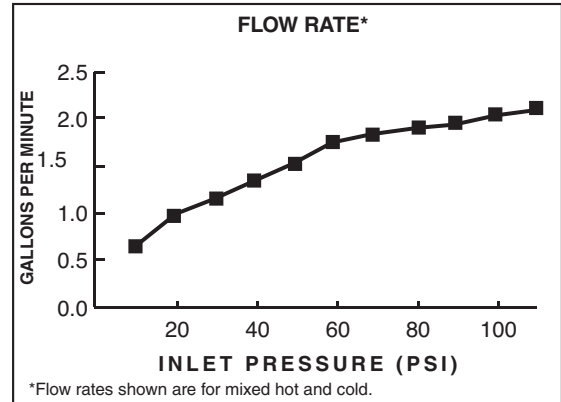


# PARKHURST™ SINGLE CONTROL KITCHEN FAUCET


## CODES AND STANDARDS

These products meet or exceed the following codes and standards:

- ANSI A117.1
- ASME A112.18.1
- CSA B125
- NSF 61 / Section 9 & Annex G



Product Number	Description
9048.100.002	Single control kitchen faucet with pull-out spray. Polished Chrome finish.
9048.100.075	Single control kitchen faucet with pull-out spray. Stainless Steel (PVD) finish.

 Meets the American Disabilities Act Guidelines and **ANSI A117.1** Requirements for the physically challenged.