



STRATUS HET ROUND FRONT COMPLETE TOILET

VITREOUS CHINA WITH EVERCLEAN®

STRATUS HET ROUND FRONT COMPLETE TOILET WITH EVERCLEAN®

□ 091-1280NT-XXB

- Vitreous china
- High Efficiency Toilet (4.8 Lpf/1.28 gpf)
- Meets EPA WaterSense® criteria
- Space saving round front siphon action jetted bowl
- Includes everything you need, including easy step-by-step manual for simple do-it-yourself installation
- Fully-glazed 2-1/8" trapway with 2" ball pass
- Generous 9" x 8" water surface area
- Close-coupled tank with flat tank cover for superior storage
- Oversized 3" flush valve with chemical resistant flapper
- EverClean® surface inhibits the growth of stain and odor-causing bacteria, mold, and mildew on the surface
- Chrome trip lever
- Speed Connect™ tank-to-bowl coupling system
- Sanitary dam on bowl with four point tank stabilization
- Includes color-matched plastic toilet seat with EverClean surface and cover
- 100% factory flush tested
- Limited Lifetime Warranty

Nominal Dimensions:

717 x 472 x 732mm (28-1/4" x 18-9/16" x 28-3/4")

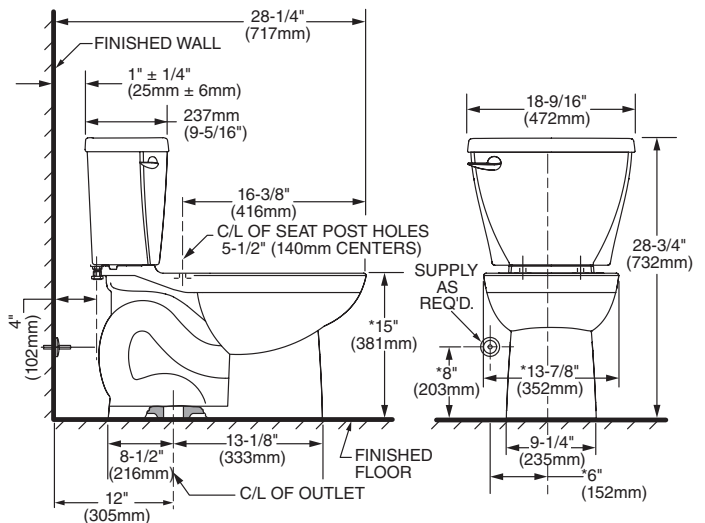
Compliance Certifications -

Meets or Exceeds the Following Specifications:

- ASME A112.19.2-2008/CSA B45.1-08 for Vitreous China Fixtures
- US EPA WaterSense® criteria for HETs

To Be Specified:

- Color: □ White
- Supply with stop:



NOTES:

THIS TOILET IS DESIGNED TO ROUGH-IN AT A MINIMUM DIMENSION OF 305MM (12") FROM FINISHED WALL TO C/L OF OUTLET. SUPPLY NOT INCLUDED WITH FIXTURE AND MUST BE ORDERED SEPARATELY.

* DIMENSION SHOWN FOR LOCATION OF SUPPLY IS SUGGESTED.

IMPORTANT: Dimensions of fixtures are nominal and may vary within the range of tolerances established by ANSI Standard A112.19.2.

These measurements are subject to change or cancellation. No responsibility is assumed for use of superseded or voided pages.



No Tools
Installation



Meets EPA Criteria



WATER EFFICIENT PRODUCT

EVERCLEAN®
Surface