



STRATUS™ 6' x 36" SILENTJET™ WHIRLPOOL HIGH GLOSS ACRYLIC

STRATUS™ SILENTJET™ WHIRLPOOL

2940J048

- Minimalist design with contoured backrest
- Acrylic with fiberglass reinforcement
- Pre-leveled tub bottom
- Drop-in or under-mount installation
- Ultra-quiet pump makes 50% less noise than typical whirlpool
- Ultra-efficient motor uses 50% less energy than typical whirlpool pump
- Air on/off with three silent air controls
- Twelve whirlpool jets
 - Six multi-directional and flow-adjustable jets
 - Six mini-jets in the backrest with on/off diverter
- Whirlpool heater blank
(Heater purchased separately)

Nominal Dimensions:

72" x 36" x 22-1/2"
(1829 x 914 x 572mm)

Compliance Certifications - Meets or Exceeds the Following Specifications:

- Underwriters Laboratories - Hydromassage Bathtubs UL 1795
- ASME A112.19.7M for Whirlpool Appliances
- ANSI Z124.1 for Plastic Bathtubs
- ASTM E162 for Flammability
- NFPA 258 for Smoke Density



To Be Specified - Required:

- Color:
- Bath Filler: (specify finish)
- Bath Drain: (specify finish)

To Be Specified - Optional:

- In-Line Heater: 494-1000

For color/finish availability and other faucet choices, please see www.eljer.com

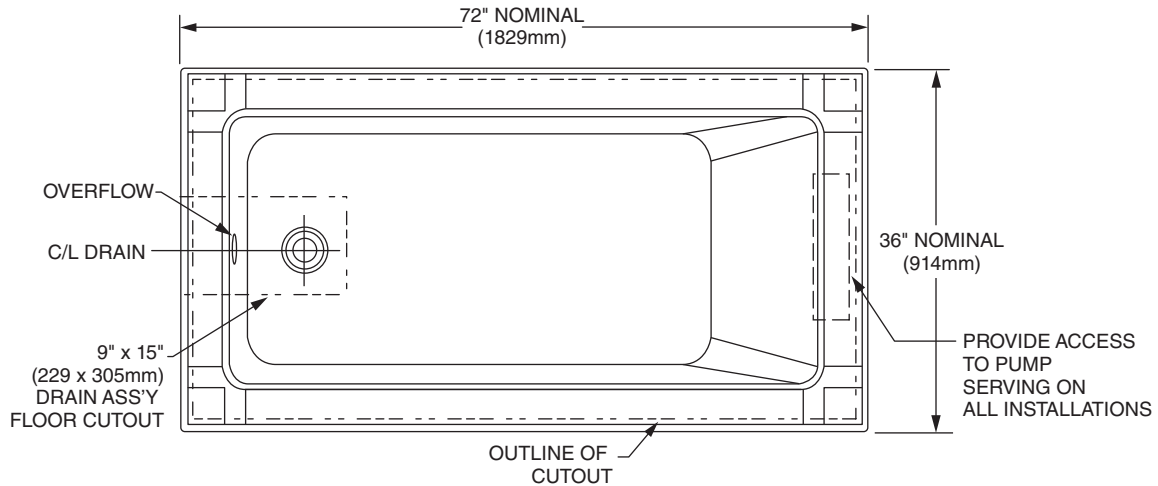
SEE REVERSE SIDE FOR ROUGHING-IN DIMENSIONS
AND PRODUCT SPECIFICATIONS

* **NOTE:** Whirlpool heater is designed to maintain water temperature during operation. It will not heat cold water to desired bathing temperature.



STRATUS™ 6' x 36" SILENTJET™ WHIRLPOOL HIGH GLOSS ACRYLIC

MODEL 2940J048



GENERAL SPECIFICATIONS FOR 2940J048 WHIRLPOOL	
INSTALLED SIZE	72 x 36 x 22-1/2 In. (1829 x 914 x 572mm)
WEIGHT	157 Lbs. (71 Kg.)
WEIGHT w/WATER	846 Lbs. (383 Kg.)
GAL. TO OVERFLOW	89 Gal. (337 L)
MIN. OPERATING VOL.	81 Gal. (307 L)
WATER DEPTH TO OVERFLOW	17-3/4 In. (451mm)
FLOOR LOADING (PROJECTED AREA)	47 Lbs./Sq.Ft. (230 Kgs./Sq.m)
PTS.	21.6
CUBE (FT ³)	40.6

NOTES:

BATH CAN BE INSTALLED EITHER ABOVE OR BELOW FLOOR LINE AS PIER, ISLAND, OR PENINSULA TYPE INSTALLATION. SUMP OF BATH IS SUPPORTED BY INTEGRAL FEET. NO ADDITIONAL SUPPORT REQUIRED. ENCLOSING MATERIAL BY OTHERS.

REFER TO INSTALLATION INSTRUCTIONS SUPPLIED FOR ADDITIONAL INFORMATION.

FITTINGS NOT INCLUDED AND MUST BE ORDERED SEPARATELY.

PROVIDE SUITABLE REINFORCEMENT FOR ALL SUPPORTS.

IF INSTALLING A DECK-MOUNTED FITTING, BEFORE DRILLING ANY HOLES: CHECK FOR INTERFERENCE WITH CIRCULATING SYSTEM PIPING, DRAIN OVERFLOW, AND APRON INSTALLATION. MOUNTING HOLES DRILLED BY INSTALLER.

IMPORTANT: Dimensions of fixtures are nominal and may vary within the range of tolerances established by ANSI Standard Z124.1. These measurements are subject to change or cancellation. No responsibility is assumed for use of superseded or voided pages.