

CASANOVA™ WHIRLPOOL AND SOAKING TUB

- 025-4085 Casanova™ Whirlpool**
 - Sleek spacious design
 - Ten fully adjustable Clean Jets™
 - Integral apron
 - Heater blank (heater purchased separately)
 - Drop-in or under-mount installation
 - Durable acrylic construction
 - Pre-leveled tub bottom
 - Limited Lifetime Warranty

- 035-4081 Casanova™ Air Bath**
 - Bath with gentle air bubble massage system
 - Electronic control pad

- 015-4804 Casanova™ Whirlpool & Air Combination**
 - Same as 025-4085 plus Air Bath system and electronic control pad

- 015-4800 Casanova™ Soaking Tub**



Nominal Dimensions:

60" x 60" x 21"
(1524 x 1524 x 533mm)

**Compliance Certifications -
Meets or Exceeds the Following Specifications:**

- Underwriters Laboratories - Hydromassage Bathtubs UL 1795
- ASME A112.19.7/CSA B45.10
- IAPMO Z124.1.2

For color/finish availability and other faucet choices, please see www.eljer.com

* **NOTE:** Whirlpool heater is designed to maintain water temperature during operation. It will not heat cold water to desired bathing temperature.

SEE REVERSE SIDE FOR ROUGHING-IN DIMENSIONS AND PRODUCT SPECIFICATIONS

To Be Specified - Required:

- Color:
- Bath Filler: (specify finish)
- Bath Drain: (specify finish)

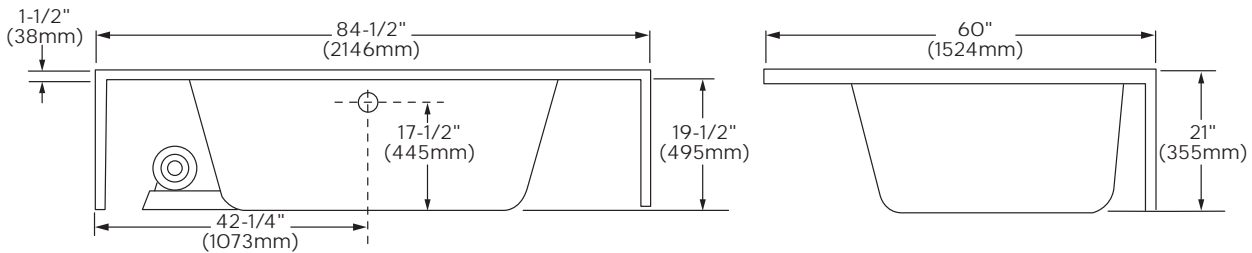
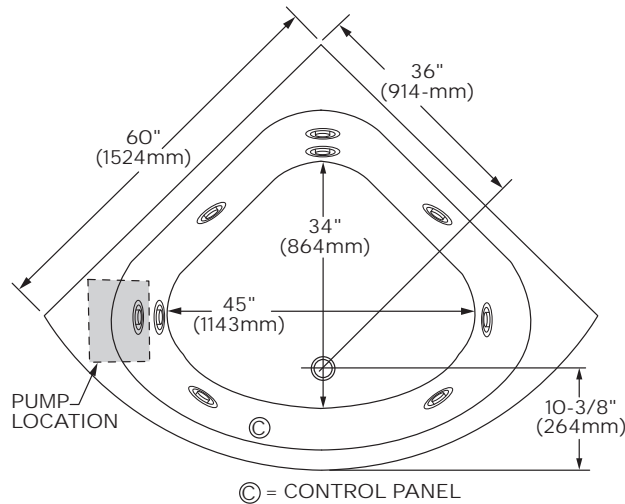
Factory Installed - Options:

- All models:
- Chromatherapy LED lights (3) with control pad - add "**K2**" suffix to model number
- Whirlpool and Air/Whirlpool combination models:
- Heater - add "**H**" suffix to model number
 - Heater and chromatherapy kit - add "**HK2**" suffix to model number (example: 025-4805**HK2**)

Optional Accessories:

- 494-8505 - Remote control for chromatherapy
- 494-1000 - In-line heater* (field installed)
- 494-0080 - Attachable tile flange - cut to desired length

MODEL 025-4805



GENERAL SPECIFICATIONS FOR CASANOVA™ WHIRLPOOL	
INSTALLED SIZE	60 x 60 x 21 in. (1524 x 1524 x 533mm)
WEIGHT	196 Lbs. (89 Kg.)
WEIGHT w/WATER	880 Lbs. (400 Kg.)
GAL. TO OVERFLOW	82 Gal. (310 L)
BATHING WELL AT SUMP	45" X 34" (1143 X 864mm)
WATER DEPTH TO OVERFLOW	16 in. (406 mm)
FLOOR LOADING (PROJECTED AREA)	45 Lbs./Sq.Ft. (219 Kgs./Sq.m)
PTS.	19.6
CUBE (FT ³)	51.33

NOTES:

BATH CAN BE INSTALLED EITHER ABOVE OR BELOW FLOOR LINE AS PIER, ISLAND, OR PENINSULA TYPE INSTALLATION. SUMP OF BATH IS LEVELED BY INTEGRAL FEET. ADDITIONAL SUPPORT IS REQUIRED. ENCLOSING MATERIAL BY OTHERS.

REFER TO INSTALLATION INSTRUCTIONS SUPPLIED FOR ADDITIONAL INFORMATION.

FITTINGS NOT INCLUDED AND MUST BE ORDERED SEPARATELY.

OPTIONAL TILE FLANGE KIT AVAILABLE AND MUST BE ORDERED SEPARATELY.

PROVIDE SUITABLE REINFORCEMENT FOR ALL SUPPORTS.

IF INSTALLING A DECK-MOUNTED FITTING, BEFORE DRILLING ANY HOLES: CHECK FOR INTERFERENCE WITH CIRCULATING SYSTEM PIPING, DRAIN OVERFLOW, AND APRON INSTALLATION. MOUNTING HOLES DRILLED BY INSTALLER.

IMPORTANT: Dimensions of fixtures are nominal and may vary within the range of tolerances established by ANSI Standard Z124.1.2. These measurements are subject to change or cancellation. No responsibility is assumed for use of superseded or voided pages.