

### LaSALLE™ WHIRLPOOL AND SOAKING TUB

#### **025-0140 LaSalle™ Whirlpool**

- Transitional styling
- Eight fully adjustable Clean Jets™
- Contoured backrest with curved armrests
- Drop-in, alcove, or undermount installation
- Textured bottom for slip-resistance
- Factory installed options available
- Push button on/off switch
- Extra soaking depth when used with Deep Soak® drain
- Safety suction system stops water flow if obstructed
- Limited Lifetime Warranty
- Heater blank (Heater purchased separately)
- Pre-leveled base
- Durable acrylic construction

#### **035-0140 LaSalle™ Air Bath**

- Bath with gentle air bubble massage system
- Electronic control pad

#### **045-0140 LaSalle™ Whirlpool & Air Combination**

- Same as 025-0140 plus Air Bath system and electronic control pad.

#### **015-0140 LaSalle™ Soaking Tub**

#### **Nominal Dimensions:**

60" x 32" x 20"  
(1524 x 813 x 508 mm)

#### **Compliance Certifications -**

#### **Meets or Exceeds the Following Specifications:**

- Underwriters Laboratories - Hydromassage Bathtubs UL 1795
- ASME A112.19.7/CSA B45.10
- IAPMO Z124.1.2

SEE REVERSE FOR PRODUCT DIMENSIONS AND SPECIFICATIONS



#### **To Be Specified - Required:**

- Color:
- Bath Filler: (specify finish)  
Recommended: 7420901.002  
(check deck width prior to mounting on unit)
- Bath Drain:  
Recommended: American Standard 1640.305.XXX  
(specify finish) Deep Soak® drain

#### **Factory Installed - Options:**

- All models:
  - Chromatherapy LED lights (3) with control pad - add "K2" suffix to model number
- Whirlpool and Air/Whirlpool combinations:
  - Heater - add "H" suffix to model number
  - Heater and chromatherapy kit - add "HK2" suffix to model number (e.g. 025-0140HK2)

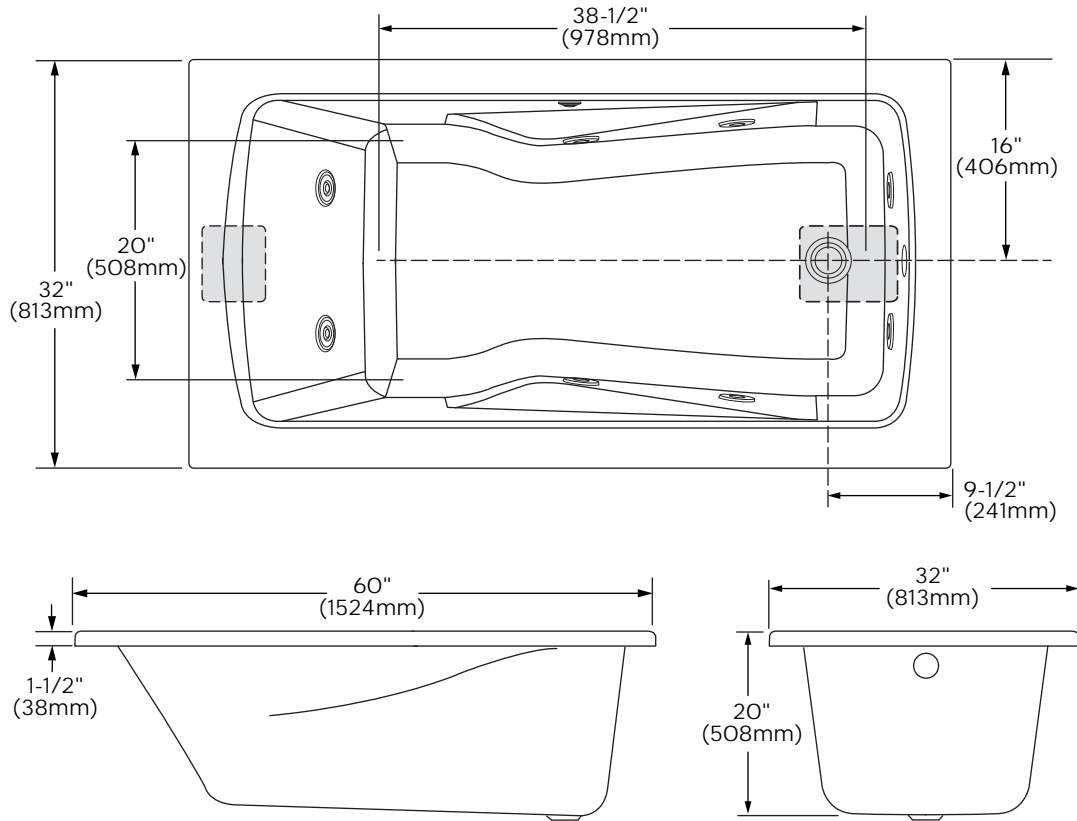
#### **Optional Accessories:**

- 494-1000 - In-line heater\* (field installed)
- 494-8505-00 - Remote control for chromatherapy lights
- 494-0060 - Attachable tile flange - cut to desired length
- 415-0015 - Acrylic apron
- 415-0055 - Acrylic apron with removable access panel

For color/finish availability and other faucet choices, please see [www.eljer.com](http://www.eljer.com)

\* **NOTE:** Whirlpool heater is designed to maintain water temperature during operation. It will not heat cold water to desired bathing temperature.

**MODEL 025-0140**



<b>GENERAL SPECIFICATIONS FOR LaSALLE™ WHIRLPOOL</b>	
INSTALLED SIZE	60 x 32 x 20 In. (1524 x 813 x 508mm)
WEIGHT	90 Lbs. (41 Kg.)
WEIGHT w/WATER	548 Lbs. (249 Kg.)
GAL. TO OVERFLOW	55 Gal. (208 L.)
BATHING WELL AT SUMP	18" X 37" (457 x 940mm)
WATER DEPTH TO OVERFLOW	16 In. (406mm)
FLOOR LOADING (PROJECTED AREA)	41 Lbs./Sq. Ft. (201 Kgs/Sq. m.)
PTS.	15.28
CUBE (FT <sup>3</sup> )	25.91

**NOTES:**

BATH CAN BE INSTALLED EITHER ABOVE OR BELOW FLOOR LINE AS PIER, ISLAND, OR PENINSULA TYPE INSTALLATION. SUPPORT OF BATH BY SUMP BEDDING. SUPPORT AND ENCLOSING MATERIAL BY OTHERS.

■ REFER TO INSTALLATION INSTRUCTIONS SUPPLIED WITH WHIRLPOOL FOR ADDITIONAL INFORMATION.

OPTIONAL 3 WALL TILE FLANGE KIT AVAILABLE AND MUST BE ORDERED SEPARATELY.

FITTINGS NOT INCLUDED AND MUST BE ORDERED SEPARATELY.

PROVIDE SUITABLE REINFORCEMENT FOR ALL SUPPORTS.

**IMPORTANT:** Dimensions of fixtures are nominal and may vary within the range of tolerances established by IAPMO Z124.1.2. These measurements are subject to change or cancellation. No responsibility is assumed for use of superseded or voided pages.