

MERRICK™ XL WHIRLPOOL AND SOAKING TUB

- 025-0145 Merrick™ XL Whirlpool**
 - Modern, minimalist design with generous depth
 - Eight fully adjustable Clean Jets™
 - Simple, elegant deck
 - Extra soaking depth when used with Deep Soak® drain
 - Drop-in or undermount installation
 - Heater blank (Heater purchased separately)
 - Durable acrylic construction
 - Limited Lifetime Warranty
 - Push button on/off switch
 - Pre-leveled tub bottom

- 035-0145 Merrick™ XL Air Bath**
 - Bath with gentle air bubble massage system
 - Electronic control pad

- 045-0145 Merrick™ XL Whirlpool & Air Combination**
 - Same as 025-0145 plus Air Bath system and electronic control pad

- 015-0145 Merrick™ XL Soaking Tub**



Nominal Dimensions:
72" x 36" x 23-3/4"
(1829 x 914 x 603mm)

- Compliance Certifications - Meets or Exceeds the Following Specifications:**
- Underwriters Laboratories - Hydromassage Bathtubs UL 1795
 - ASME A112.19.7/CSA B45.10
 - IAPMO Z124.1.2

SEE REVERSE SIDE FOR ROUGHING-IN DIMENSIONS AND PRODUCT SPECIFICATIONS

For color/finish availability and other faucet choices, please see www.eljer.com

* **NOTE:** Whirlpool heater is designed to maintain water temperature during operation. It will not heat cold water to desired bathing temperature.

To Be Specified - Required:

- Color:
- Bath Filler: (specify finish)
- Bath Drain: (specify finish)
Recommended: American Standard 1640.305.XXX (specify finish) Deep Soak® drain

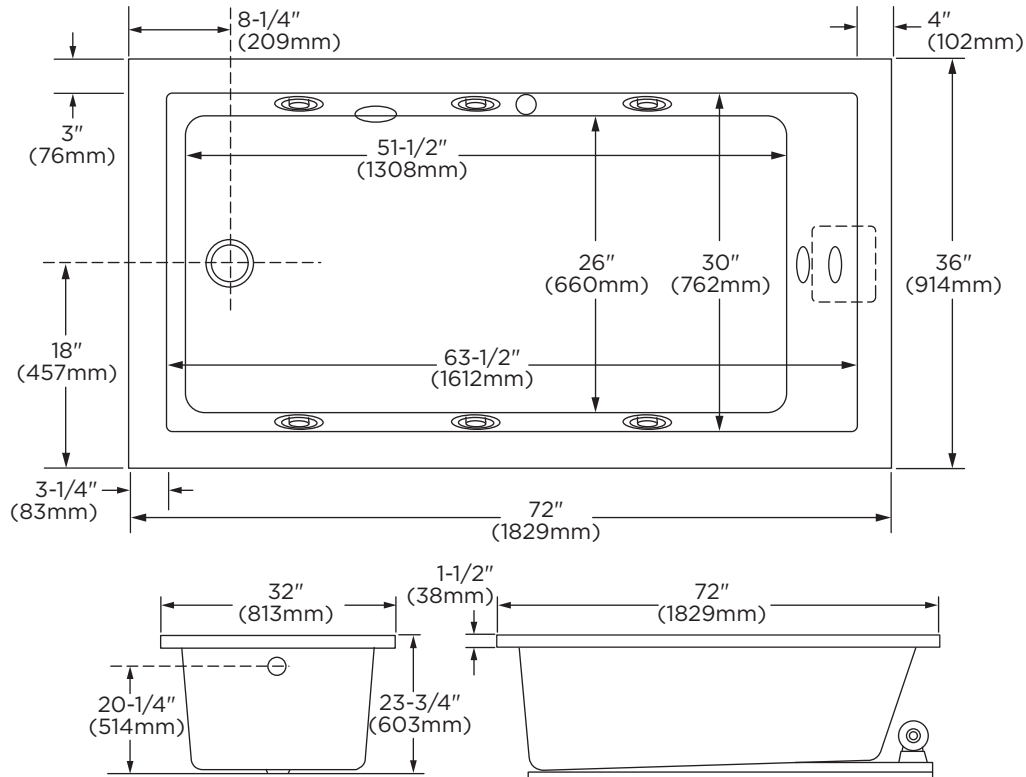
Factory Installed - Options:

- All models:
- Chromatherapy LED lights (3) with control pad - add "**K2**" suffix to model number
- Whirlpool and Air/ Whirlpool combination models:
- Heater - add "**H**" suffix to model number
 - Heater and chromatherapy kit - add "**HK2**" suffix to model number (example: 025-0145**HK2**)

Optional Accessories:

- 415-0145-XX - 6' Apron (specify color)
- 494-8505 - Remote control for chromatherapy
- 494-1000 - In-line heater* (field installed)
- 494-0060 - Attachable tile flange - cut to desired length

MODEL 025-0145



GENERAL SPECIFICATIONS FOR MERRICK™ XL WHIRLPOOL	
INSTALLED SIZE	72 x 36 x 23-3/4 In. (1829 x 914 x 603mm)
WEIGHT	125 Lbs. (56 Kg.)
WEIGHT w/WATER	1,124 Lbs. (511 Kg.)
GAL. TO OVERFLOW	120 Gal. (454 L)
BATHING WELL AT SUMP	24-1/2" X 51" (622 X 1295 mm)
WATER DEPTH TO OVERFLOW	19-1/2 In. (495mm)
FLOOR LOADING (PROJECTED AREA)	62 Lbs./Sq.Ft. (306 Kgs./Sq.m)
PTS.	17.18
CUBE (FT ³)	38.33

NOTES:

BATH CAN BE INSTALLED EITHER ABOVE OR BELOW FLOOR LINE AS PIER, ISLAND, OR PENINSULA TYPE INSTALLATION. SUPPORT OF BATH BY SUMP BEDDING. SUPPORT AND ENCLOSING MATERIAL BY OTHERS.

REFER TO INSTALLATION INSTRUCTIONS SUPPLIED FOR ADDITIONAL INFORMATION.

FITTINGS NOT INCLUDED AND MUST BE ORDERED SEPARATELY.

OPTIONAL 3 WALL TILE FLANGE KIT AND APRON AVAILABLE AND MUST BE ORDERED SEPARATELY.

PROVIDE SUITABLE REINFORCEMENT FOR ALL SUPPORTS.

IF INSTALLING A DECK-MOUNTED FITTING, BEFORE DRILLING ANY HOLES: CHECK FOR INTERFERENCE WITH CIRCULATING SYSTEM PIPING, DRAIN OVERFLOW, AND APRON INSTALLATION. MOUNTING HOLES DRILLED BY INSTALLER.

IMPORTANT: Dimensions of fixtures are nominal and may vary within the range of tolerances established by IAPMO Z124.1.2. These measurements are subject to change or cancellation. No responsibility is assumed for use of superseded or voided pages.