

**RIDGEFIELD™ WHIRLPOOL AND SOAKING TUB**

**025-0146 Ridgefield™ Whirlpool**

- Oval unit with wide accessory deck
- Corner, alcove or island installations
- Drop-in or under-mount installation
- Eight fully adjustable Clean Jets™
- Push button on/off switch
- Safety suction system
- Pre-leveled base
- Textured bottom for slip-resistance
- Factory installed options available
- Limited Lifetime Warranty
- Made in USA

**035-0146 Ridgefield™ Air Bath**

- Bath with gentle air bubble massage system
- Electronic control pad

**045-0146 Ridgefield™ Whirlpool & Air Combination**

- Same as 025-0146 plus Air Massage system and electronic control pad.

**015-0146 Ridgefield™ Soaking Tub**

**Nominal Dimensions:**

58" x 38" x 23-1/2"  
(1473 x 965 x 597mm)

**Compliance Certifications -**

**Meets or Exceeds the Following Specifications:**

- Underwriters Laboratories - Hydromassage Bathtubs UL 1795
- ASME A112.19.7/CSA B45.10
- IAPMO Z124.1.2

SEE REVERSE FOR PRODUCT DIMENSIONS AND SPECIFICATIONS



**To Be Specified - Required:**

- Color:
- Bath Faucet: (specify finish)  
Recommended: 9088900.295  
(check deck width prior to mounting on unit)
- Bath Drain:

**Factory Installed - Options:**

All models:

- Chromatherapy LED lights (3) with control pad - add "**K2**" suffix to model number
- Whirlpool and Air/Whirlpool combinations:
- Heater - add "**H**" suffix to model number
  - Heater and chromatherapy kit - add "**HK2**" suffix to model number (example: 025-0146**HK2**)

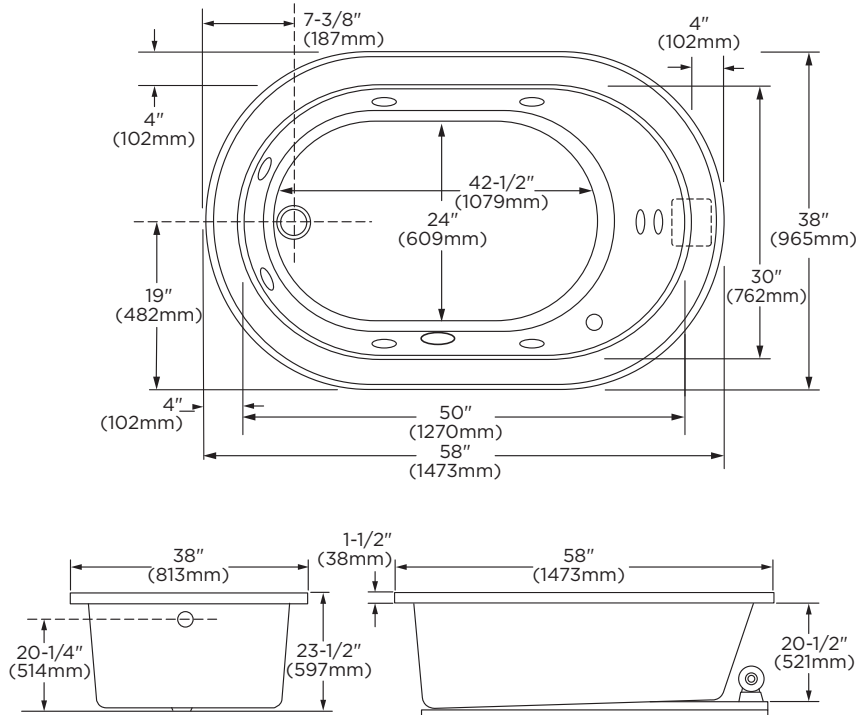
**To Be Specified - Optional:**

- 494-1000 - In-line heater (field installed)
- 494-8505-00 - Remote for chromatherapy light kit

For color/finish availability and other faucet choices, please see [www.eljer.com](http://www.eljer.com)

\* **NOTE:** Whirlpool heater is designed to maintain water temperature during operation. It will not heat cold water to desired bathing temperature.

### MODEL 025-0146



GENERAL SPECIFICATIONS FOR RIDGEFIELD™ WHIRLPOOL	
INSTALLED SIZE	58 x 38 x 23-1/2 In. (1473 x 965 x 597mm)
WEIGHT	97 Lbs. (44 Kg.)
WEIGHT w/WATER	763 Lbs. (347 Kg.)
GAL. TO OVERFLOW	80 Gal. (303 L)
BATHING WELL AT SUMP	23" X 37" (584 x 940 mm)
WATER DEPTH TO OVERFLOW	19-1/2 In. (495mm)
FLOOR LOADING	62 Lbs./Sq.Ft. (306 Kgs./Sq.m)
(PROJECTED AREA)	
PTS.	24.44
CUBE (FT <sup>3</sup> )	35.68

#### NOTES:

BATH CAN BE INSTALLED EITHER ABOVE OR BELOW FLOOR LINE AS PIER, ISLAND, OR PENINSULA TYPE INSTALLATION. SUMP OF BATH IS SUPPORTED BY INTEGRAL FEET. NO ADDITIONAL SUPPORT REQUIRED. ENCLOSING MATERIAL BY OTHERS.

REFER TO INSTALLATION INSTRUCTIONS SUPPLIED FOR ADDITIONAL INFORMATION.

FITTINGS NOT INCLUDED AND MUST BE ORDERED SEPARATELY.

PROVIDE SUITABLE REINFORCEMENT FOR ALL SUPPORTS.

IF INSTALLING A DECK-MOUNTED FITTING, BEFORE DRILLING ANY HOLES: CHECK FOR INTERFERENCE WITH CIRCULATING SYSTEM PIPING, DRAIN OVERFLOW, AND APRON INSTALLATION. MOUNTING HOLES DRILLED BY INSTALLER.

**IMPORTANT:** Dimensions of fixtures are nominal and may vary within the range of tolerances established by ANSI Standard Z124.1. These measurements are subject to change or cancellation. No responsibility is assumed for use of superseded or voided pages.