

## VENICE™ WHIRLPOOL AND SOAKING TUB

### **025-2505 Venice™ Whirlpool**

- Sculpted rectangular unit constructed of durable acrylic
- Eight fully adjustable Clean Jets™
- Push button On/Off switch
- Safety suction system
- Center drain
- Heater blank (heater purchased separately)
- Textured bottom for slip-resistance
- Factory installed options available
- Limited Lifetime Warranty



### **035-2501 Venice™ Air Bath**

- Bath with gentle air bubble massage system
- Electronic control pad

### **045-2504 Venice™ Whirlpool & Air Bath Combination**

- Same as 025-2505 plus Air Bath System
- Electronic control pad

### **015-2500 Venice™ Soaking Tub**

#### **Nominal Dimensions:**

72" x 42" x 23"  
(1829 x 1067 x 584mm)

#### **Compliance Certifications - Meets or Exceeds the Following Specifications:**

- Underwriters Laboratories - Hydromassage Bathtubs UL 1795
- ASME A112.19.7/CSA B45.10
- IAPMO Z124.1.2

For color/finish availability and other faucet choices, please see [www.eljer.com](http://www.eljer.com)

\* **NOTE:** Whirlpool heater is designed to maintain water temperature during operation. It will not heat cold water to desired bathing temperature.

SEE REVERSE SIDE FOR ROUGHING-IN DIMENSIONS AND PRODUCT SPECIFICATIONS

#### **To Be Specified - Required:**

- Color:
- Bath Filler: (specify finish)
- Bath Drain: (specify finish)

#### **Factory Installed - Options:**

All models:

- Chromotherapy LED lights (3) with control pad - add "**K2**" suffix to model number

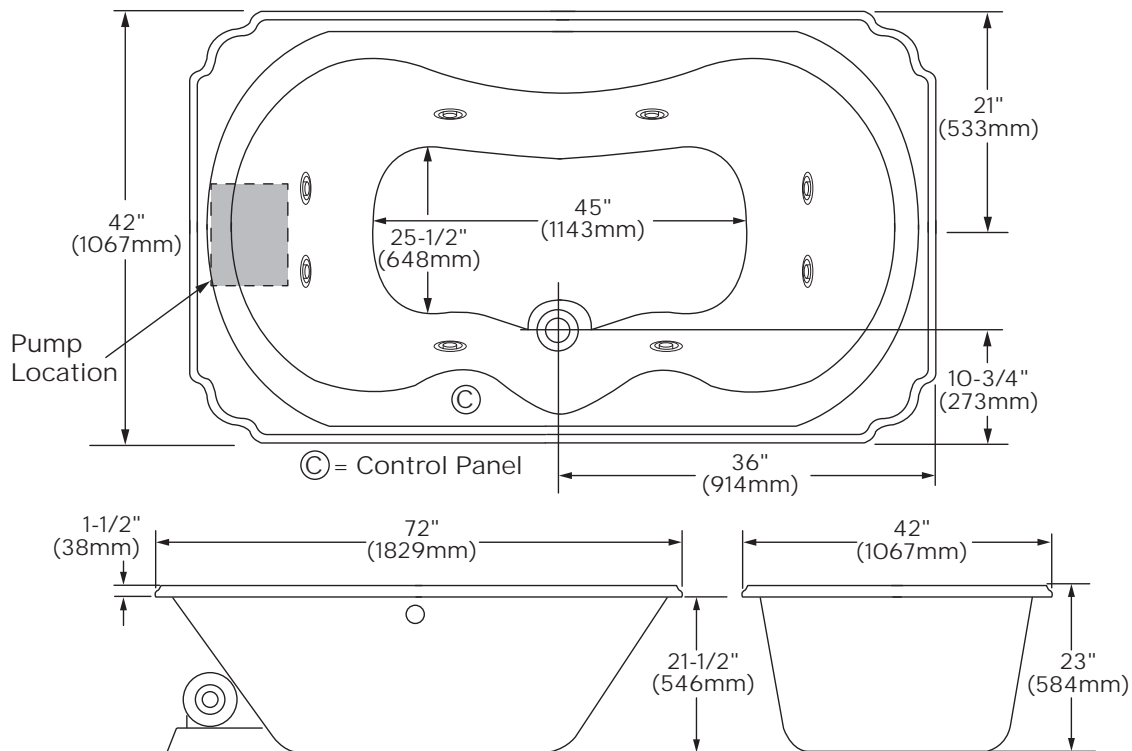
Whirlpool and Air/Whirlpool combination models:

- Heater - add "**H**" suffix to model number
- Heater and chromotherapy kit - add "**HK2**" suffix to model number (example: 025-2505**HK2**)

#### **Optional Accessories:**

- 494-8505 - Remote control for chromotherapy
- 494-1000 - In-line heater\* (field installed)

### MODEL 025-2505



#### GENERAL SPECIFICATIONS FOR VENICE™ WHIRLPOOL

INSTALLED SIZE	72 x 42 x 23 in. (1829 x 1067 x 584mm)
WEIGHT	119 Lbs. (54 Kg.)
WEIGHT w/WATER	581 Lbs. (264 Kg.)
GAL. TO OVERFLOW	80 Gal. (303 L)
BATHING WELL AT SUMP	45" x 25-1/2" (1143 x 648mm)
WATER DEPTH TO OVERFLOW	25-1/4 in. (641mm)
FLOOR LOADING (PROJECTED AREA)	47 Lbs./Sq.Ft. (230 Kgs./Sq.m)
PTS.	13.8
CUBE (FT <sup>3</sup> )	49.93

#### NOTES:

BATH CAN BE INSTALLED EITHER ABOVE OR BELOW FLOOR LINE AS PIER, ISLAND, OR PENINSULA TYPE INSTALLATION. SUMP OF BATH IS LEVELED BY INTEGRAL FEET. ADDITIONAL SUPPORT IS REQUIRED. ENCLOSING MATERIAL BY OTHERS.

REFER TO INSTALLATION INSTRUCTIONS SUPPLIED FOR ADDITIONAL INFORMATION.

FITTINGS NOT INCLUDED AND MUST BE ORDERED SEPARATELY.

PROVIDE SUITABLE REINFORCEMENT FOR ALL SUPPORTS.

IF INSTALLING A DECK-MOUNTED FITTING, BEFORE DRILLING ANY HOLES: CHECK FOR INTERFERENCE WITH CIRCULATING SYSTEM PIPING, DRAIN OVERFLOW, AND APRON INSTALLATION. MOUNTING HOLES DRILLED BY INSTALLER.

**IMPORTANT:** Dimensions of fixtures are nominal and may vary within the range of tolerances established by IAPMO Z124.1.2. These measurements are subject to change or cancellation. No responsibility is assumed for use of superseded or voided pages.